

# **ULTERRA<sup>™</sup>**

## **BOW-MOUNT TROLLING MOTOR**

### **Installation Instructions**

# INTRODUCTION

## THANK YOU

Thank you for choosing Minn Kota. We believe that you should spend more time fishing and less time positioning your boat. That's why we build the smartest, toughest, most intuitive trolling motors on the water. Every aspect of a Minn Kota trolling motor is thought out and rethought until it's good enough to bear our name. Countless hours of research and testing provide you the Minn Kota advantage that can truly take you "Anywhere. Anytime." We don't believe in shortcuts. We are Minn Kota. And we are never done helping you catch more fish.

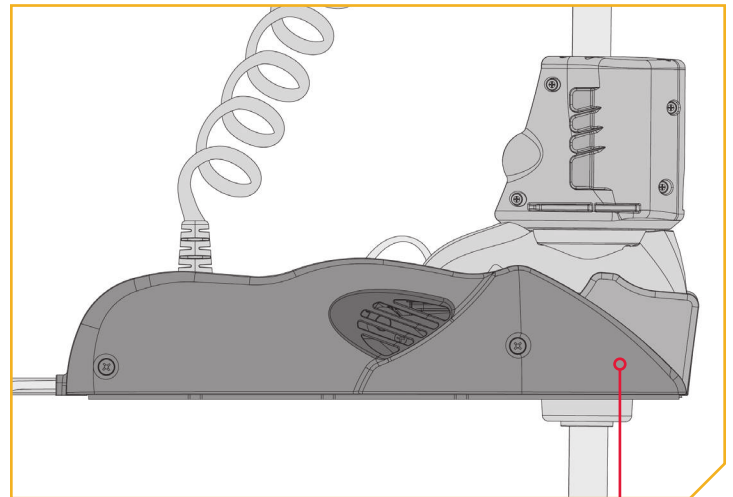
## REGISTRATION

Remember to keep your receipt and immediately register your trolling motor. A registration card is included with your motor or you can complete registration on our website at [minnkotamotors.com](http://minnkotamotors.com).

## SERIAL NUMBER

Your Minn Kota 11-character serial number is very important. It helps to determine the specific model and year of manufacture. When contacting Consumer Service or registering your product, you will need to know your product's serial number. We recommend that you write the serial number down so that you have it available for future reference.

**NOTICE:** The serial number on your Ultrerra is located inside the mount near the motor rests.



## MOTOR INFORMATION (For Consumer Reference Only)

Model: \_\_\_\_\_

Serial Number: \_\_\_\_\_

Purchase Date: \_\_\_\_\_

Store Where Purchased: \_\_\_\_\_

**NOTICE:** Do not return your Minn Kota motor to your retailer. Your retailer is not authorized to repair or replace this unit. You may obtain service by: calling Minn Kota at (800) 227-6433; returning your motor to the Minn Kota Factory Service Center; sending or taking your motor to any Minn Kota authorized service center. A list of authorized service centers is available on our website, at [minnkotamotors.com](http://minnkotamotors.com). Please include proof of purchase, serial number and purchase date for warranty service with any of the above options.

# SAFETY CONSIDERATIONS

Please thoroughly read the user manual. Follow all instructions and heed all safety and cautionary notices. Use of this motor is only permitted for persons that have read and understood these user instructions. Minors may use this motor only under adult supervision.

## **WARNING**

You are responsible for the safe and prudent operation of your vessel. We have designed your Minn Kota product to be an accurate and reliable tool that will enhance boat operation and improve your ability to catch fish. This product does not relieve you from the responsibility for safe operation of your boat. You must avoid hazards to navigation and always maintain a permanent watch so you can respond to situations as they develop. You must always be prepared to regain manual control of your boat. Learn to operate your Minn Kota product in an area free from hazards and obstacles.

## **WARNING**

Never run the motor out of the water, as this may result in injuries from the rotating propeller. The motor should be disconnected from the power source when it is not in use or is off the water. When connecting the power-supply cables of the motor to the battery, ensure that they are not kinked or subject to chafe and route them in such a way that persons cannot trip over them. Before using the motor make sure that the insulation of the power cables is not damaged. Disregarding these safety precautions may result in electric shorts of battery(s) and/or motor. Always disconnect motor from battery(s) before cleaning or checking the propeller. Avoid submerging the complete motor as water may enter the lower unit through control head and shaft. If the motor is used while water is present in the lower unit considerable damage to the motor can occur. This damage will not be covered by warranty.

## **WARNING**

Take care that neither you nor other persons approach the turning propeller too closely, neither with body parts nor with objects. The motor is powerful and may endanger or injure you or others. While the motor is running watch out for persons swimming and for floating objects. Persons who lack the ability to run the motor or whose reactions are impaired by alcohol, drugs, medication, or other substances are not permitted to use this motor. This motor is not suitable for use in strong currents. The constant noise pressure level of the motor during use is less than 70dB(A). The overall vibration level does not exceed 2,5 m/sec<sup>2</sup>.

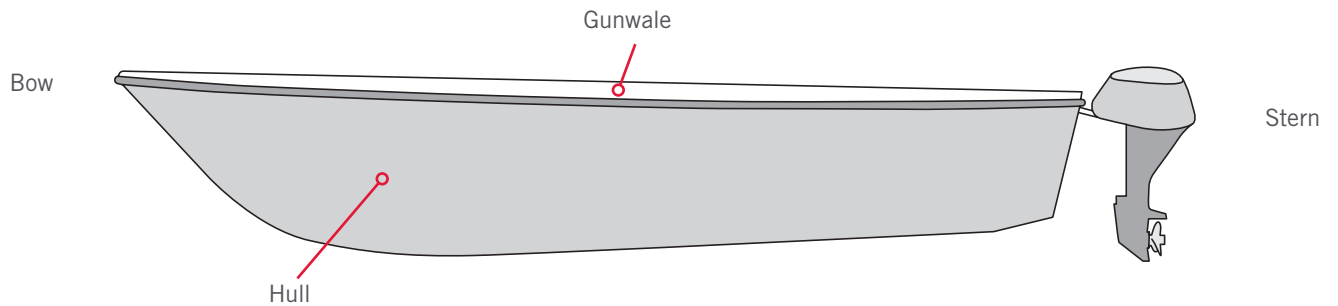
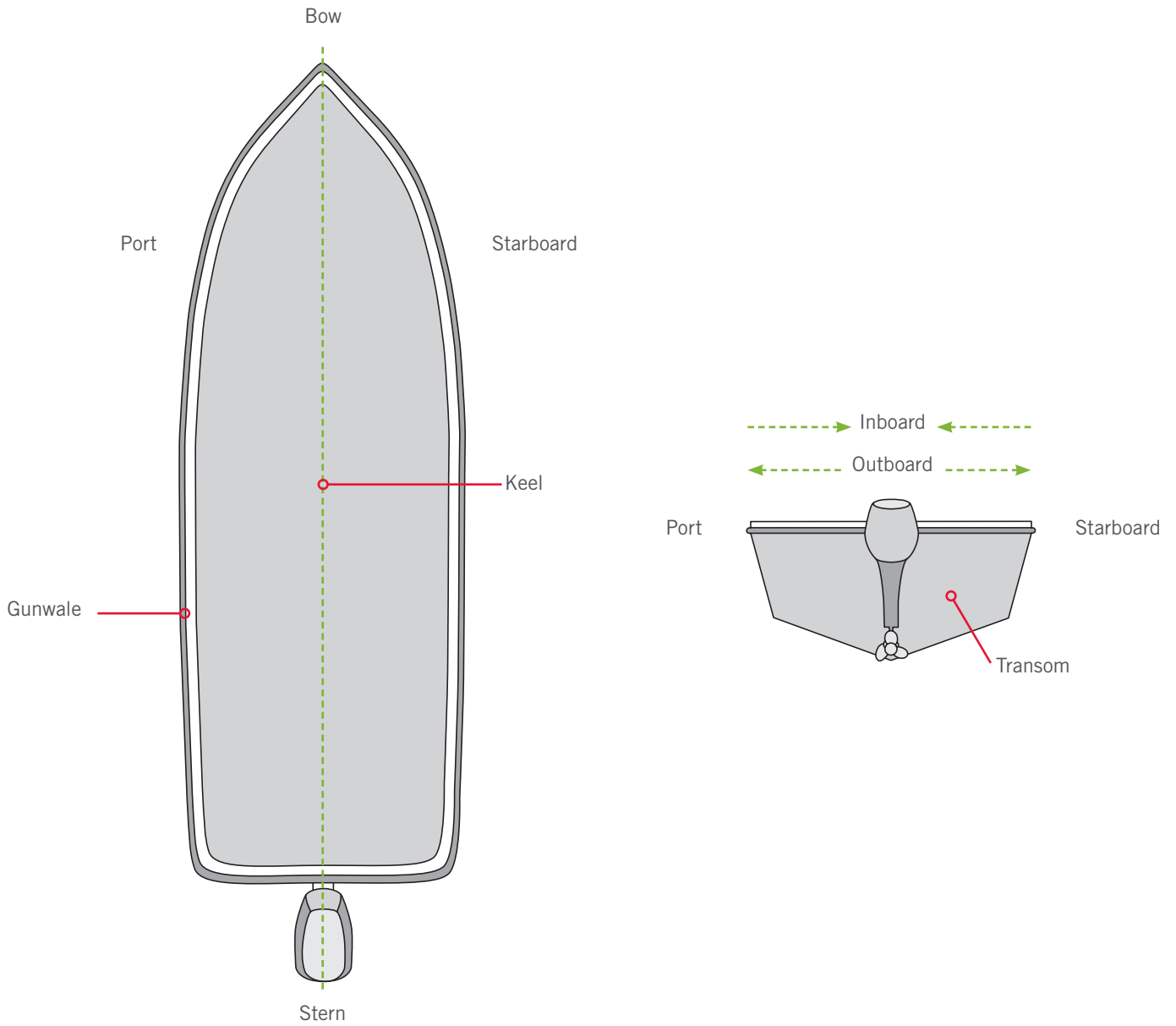
## **WARNING**

When stowing or deploying the motor, keep fingers clear of all hinge and pivot points and all moving parts. In the event of unexpected operation, remove power leads from the battery.

## **WARNING**

It is recommended to only use Johnson Outdoors approved accessories with your Minn Kota motor. Using non-approved accessories including to mount or control your motor may cause damage, unexpected motor operation and injury. Be sure to use the product and approved accessories, including remotes, safely and in the manner directed to avoid accidental or unexpected motor operation. Keep all factory installed parts in place including motor and accessory covers, enclosures and guards.

# KNOW YOUR BOAT





# INSTALLATION

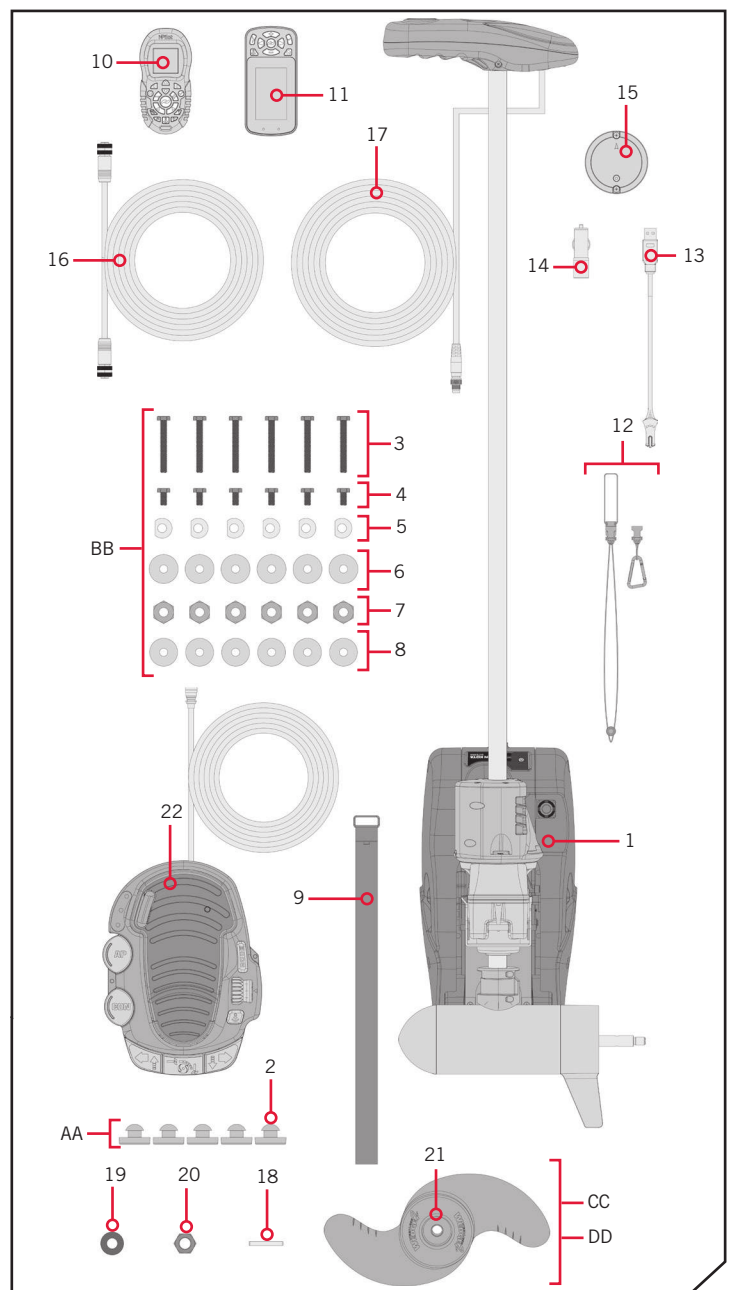
## INSTALLING THE ULTERRA

Your new Ulterra comes with everything you'll need to directly install it to the boat. This motor can be directly mounted to the boat or it may be coupled with a Minn Kota quick release bracket for ease of mounting and removal. For installation with a quick release bracket, refer to the installation instructions provided with the bracket. For installation with a quick release mounting bracket, please visit [minnkotamotors.com](http://minnkotamotors.com). To install the motor directly to the boat, please follow the instructions provided in this manual. Please review the parts list, mounting considerations and tools needed for installation prior to getting started. For additional product support and to locate your nearest dealer, please visit [minnkotamotors.com](http://minnkotamotors.com).

### INSTALLATION PARTS LIST

Item / Assembly	Part #	Description	Qty.
1	✘	MOTOR ASSEMBLY	1
AA	2994859	BAG ASY-TERROVA/V2,RUB.BUMPERS	1
2	2325110	PAD, FOOTPEDAL	5
BB	2994917	BAG ASSY, ULTERRA MTG HARDWARE	1
3	2203430	SCREW-1/4-20 X 2.0 HHCS SS	6
4	2203431	SCREW-1/4-20 X 0.5 HHCS SS	6
5	2201725	WASHER-CLIPPED, 1/4", 1.00" OD	6
6	2261713	WASHER-1/4 FLAT 18-8 SS	6
7	2263103	NUT-1/4-20 NYLOCK SS	6
8	2301720	WASHER-MOUNTING - RUBBER	6
9	2203801	STRAP, HOLD DOWN	1
10	2994075 ◆	REMOTE ASSEMBLY, iPILOT	1
11	2994076 ●	REMOTE ASSEMBLY LINK TOUCHSCREEN	1
▲	2397106 ◆	MANUAL, QUICK REF., iPILOT 1.6	1
▲	2397107 ●	MANUAL-QUICK REF., iPILOT 3.0	1
12	2390800 ◆●	LANYARD, REMOTE W/ CARABINER	1
13	2373241 ●	CABLE, USB REMOTE CHARGER LINK	1
14	2375901 ●	ADAPTER, USB DC POWER LINK	1
15	2996400 ◆●	HEADING SENSOR ASSEMBLY	1
16	490389-1 ●	CABLE, ETH (M12-M-M12-F, 30'	1
17	2211415 +	CABLE-EXTENSION, PD/AP 110" *PRE-INSTALLED*	1
	490507-1 →	CABLE, ADP-INT MDI 14 M12-120" *PRE-INSTALLED*	1
	490516-3 *	CABLE, ADP-INT MSI 14 M12-156" *PRE-INSTALLED*	1
CC	1378132	80# THRUST PROP KIT	1
DD	1378160	112# THRUST PROP KIT	1
18	2262658	PIN-DRIVE 1" X 3/16" S/S	1
19	2091701	WASHER-PROP (LARGE) MAX101	1
20	2093101	NUT-PROP,NYLOC,LG,MX101 3/8 SS	1
	2331160	PROP-WW2 (4") w/ADP.RING	1
21	2341160	PROP-WW2 (4.5) w/ADP.RING	1
	2207113	MANUAL, INSTALL GUIDE, ULTERRA	1
22	2994741	FOOT PEDAL ASSY, ULTERRA	1

- ▲ Not shown on Parts Diagram.
- ✘ This part is included in an assembly and cannot be ordered individually.
- ◆ Only available with models factory installed with i-Pilot.
- Only available with models factory installed with i-Pilot Link.
- + Only available with models factory installed with Universal Sonar.
- Only available with models factory installed with Built-in MEGA Down Imaging.
- \* Only available with models factory installed with Built-in MEGA Side Imaging.



# INSTALLING THE ULTERRA

## MOUNTING CONSIDERATIONS

It is recommended that the motor be mounted as close to the keel or centerline of the boat as possible. Make sure the area under the mounting location is clear to drill holes and install nuts and washers. Make sure the motor rest is positioned far enough beyond the edge of the boat. The motor must not encounter any obstructions as it is lowered into the water or raised into the boat when stowed and deployed. Consider a quick release or adapter bracket with the installation of your motor. To view a list of accessories, please visit [minnkotamotors.com](http://minnkotamotors.com).



View accessories available for your trolling motor at [minnkotamotors.com](http://minnkotamotors.com).

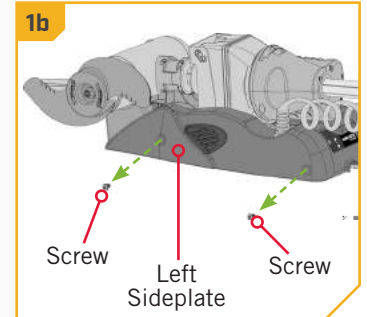
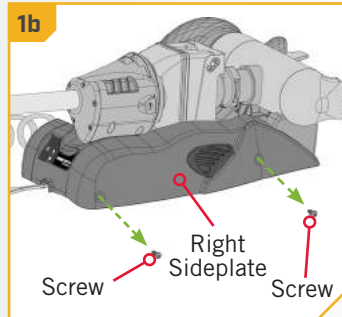
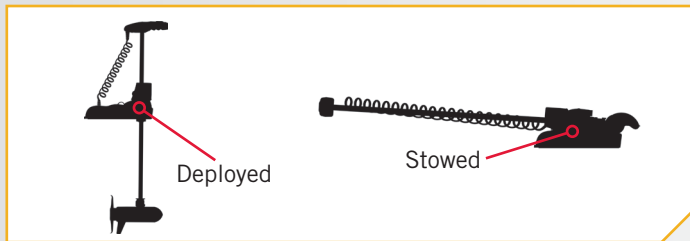
## TOOLS AND RESOURCES REQUIRED

- #2 Phillips Screwdriver
- #3 Phillips Screwdriver
- Drill
- 9/32" Drill Bit
- A person to help with installation

## INSTALLATION

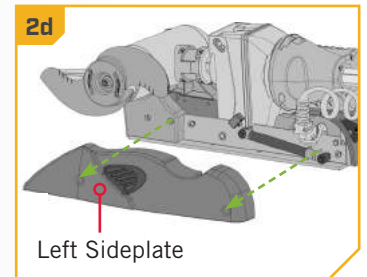
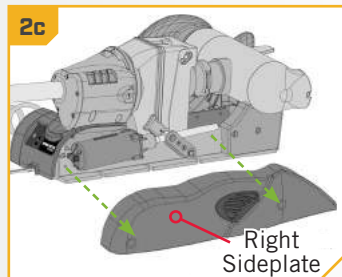
### INSTALLING THE ULTERRA

1. a. Place the Motor on an elevated, level surface such as a workbench or the tailgate of a pickup. The motor, as removed from the box, should be in the stowed position.  
b. Remove the four sideplate screws using a #3 or #2 Phillips screwdriver. Two of these screws will be located on each side of the Motor Mount.



**NOTICE:** This motor weighs approximately 70 lbs. We recommend having a second person help with the installation.

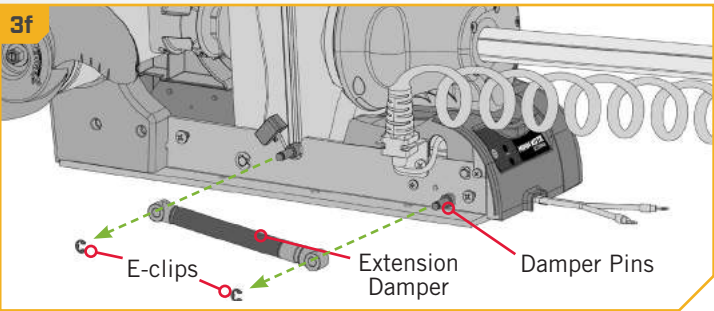
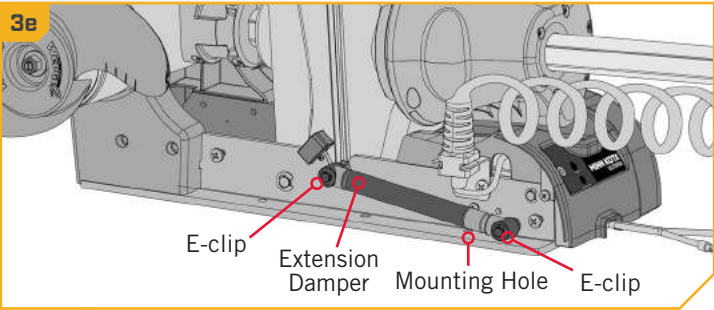
2. c. Remove the Right Sideplate to access the Mounting Slots.  
d. Remove the Left Sideplate to access the Mounting Holes.



# INSTALLING THE ULTERRA

3

- e. Under the Left Sideplate, the Extension Damper obstructs access to the left front Mounting Hole.
- f. Using a small Screw Driver, remove the two 5/16" E-clips holding the Extension Damper in place. Once the E-clips are removed, slide the Extension Damper off the Damper Pins to expose the left rear Mounting Hole. Set the two E-clips and Extension Damper in a safe place so they are not misplaced before they are reassembled later in the installation.



**⚠ WARNING**

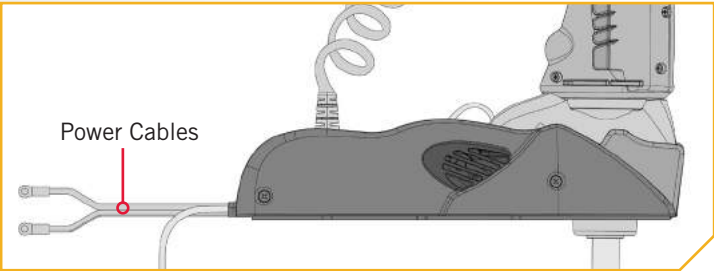
Do not deploy the motor until it is fully mounted to the boat. Illustrations are for reference only. Deploying your motor before it is mounted to the boat may cause injury.

4

- g. Make sure the Power Cables from the battery are disconnected, or that the breaker, if equipped, is "off".

**⚠ WARNING**

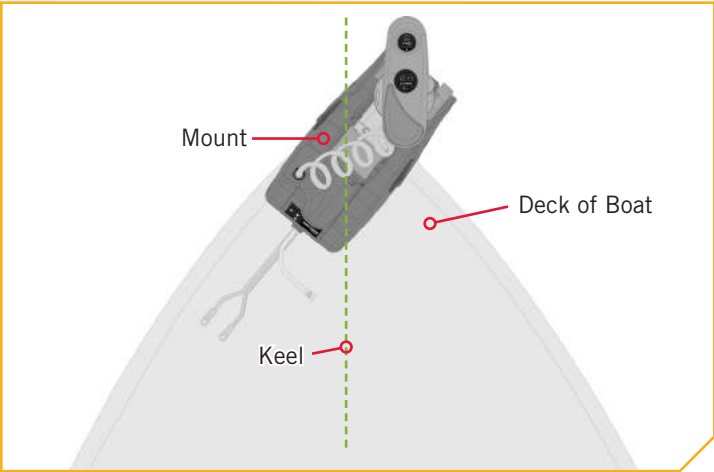
Make sure the motor is mounted on a level surface and is not connected to a power source.



5

- h. Place the motor on the bow of the boat. Place the motor as close to the centerline or keel of the boat as possible. The motor can be installed on either the Port or Starboard side of the boat based on personal preference. Reviewing the mounting considerations at the beginning of the installation section.

**NOTICE:** The Emergency Strap (Item #9) is used for Manually Stowing the Ultrerra. The Emergency Strap is not secured during installation. Store it on your boat in the event that you would need to manually stow the motor. To learn how, please refer to the "Manually Stowing the Ultrerra" section of the Owner's Manual.



# INSTALLING THE ULTERRA

6

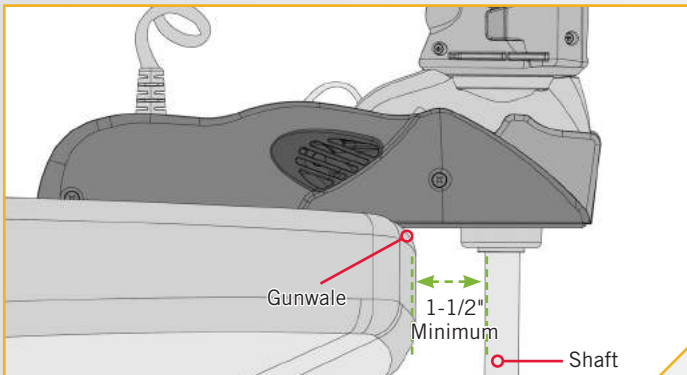
## ITEM(S) NEEDED

 #8 x 6

### WARNING

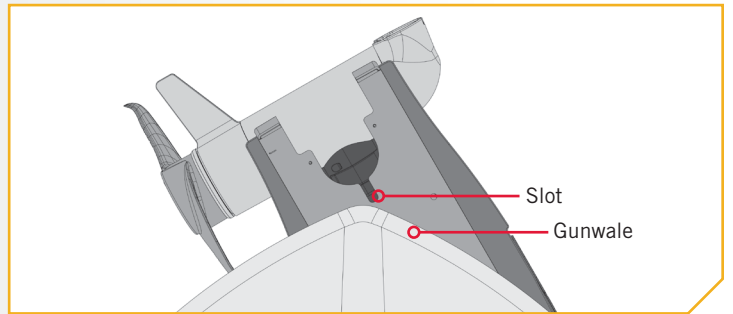
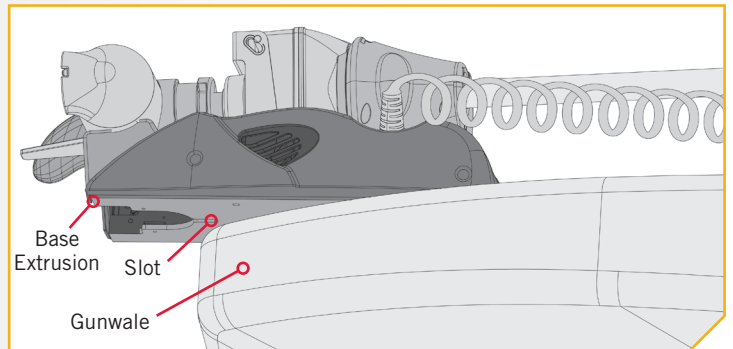
Do not deploy the motor until it is fully mounted to the boat. Illustrations are for reference only. Deploying your motor before it is mounted to the boat may cause injury.

- i. Make sure the slot on the underside of the Base Extrusion is aligned with the outermost part of the gunwale of the boat. This will ensure that the Shaft has a minimum clearance of 1-1/2" when it is deployed. The lower unit when stowed and deployed must not encounter any obstructions.
- j. Check to be sure that the Motor Mount is level. Use the Rubber Washers (Item #8) provided to create a level surface if necessary.



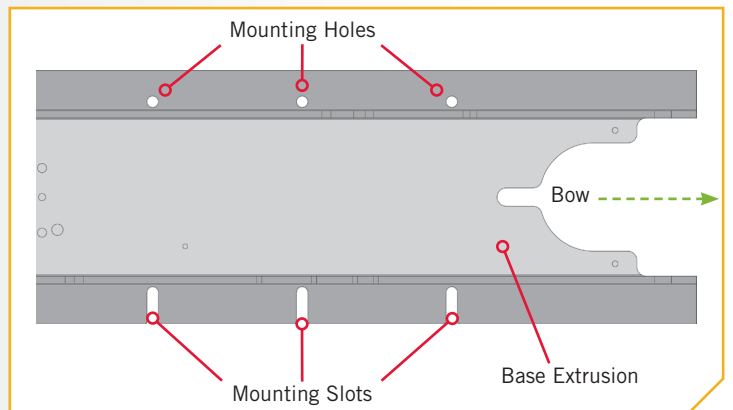
### CAUTION

Failure to allow 1-1/2" of clearance of the Shaft when mounting may cause failures when the motor stows and deploys. Follow recommended mounting considerations to avoid obstructions when operating the motor.



7

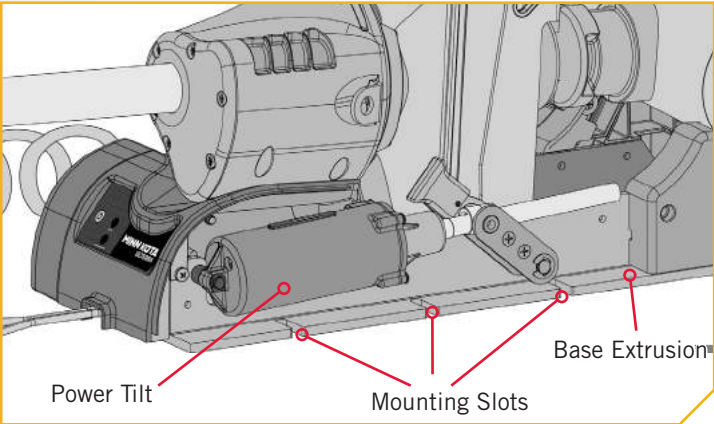
- k. It is recommended to mark at least 4 of the 6 holes in the Base Extrusion to have a minimum of two bolts on each side that are located the farthest apart. Ideal installation would allow for 6 bolts to be used, with a minimum of 4.
- l. Make sure the area under the mounting location is clear to drill holes and install nuts and washers. Drill through the marked holes using a 9/32" drill bit.



# INSTALLING THE ULTERRA

8

m. Mount the motor to the boat using the provided hardware. Place the installation hardware for the side of the Motor where the Power Tilt is located first. This is the opposite side of the Base Extrusion from where the Extension Damper was removed. The base of the Motor where the Power Tilt is located has Mounting Slots and the side where the Extension Damper is located has Mounting Holes.



9

### ITEM(S) NEEDED



#6 x 3



#3 x 3



#5 x 3



#7 x 3

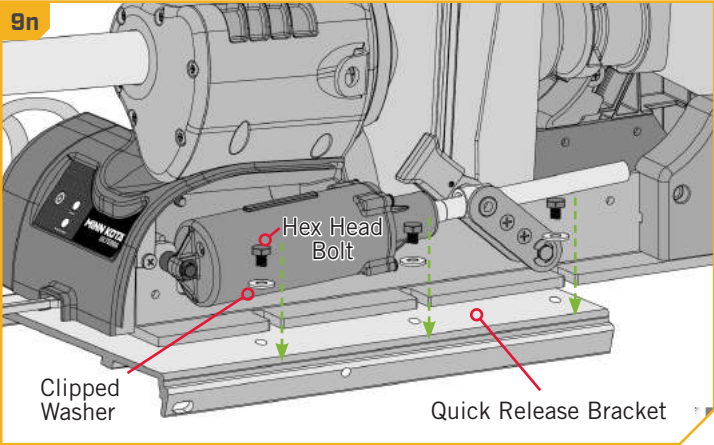


#4 x 3

**NOTICE:** To prevent seizing of the stainless steel hardware, do not use high speed installation tools. Wetting the screws or applying an anti-seize may help prevent seizing.

n. **If installing with a Quick Release Bracket,** install the motor with the Hex Head Bolts (Item #4) and Clipped Washers (Item #5). Orientate the Clipped Washers so that the flat side of the washer is towards the Base Extrusion. The Bolt should pass through the Clipped Washer and into a Quick Release Bracket. Leave at least 1/4" space between the Hex Head Bolt and Clipped Washer in order to slide the Base Extrusion under the Clipped Washer and into place.

**NOTICE:** The Long Bolts, Flat Washers and Nylock Nut are not used when installing the Ulterra with a Quick Release Bracket.



## CAUTION

Use extra care to avoid pinching and damaging the sensor wires that run along side of the Base Extrusion when installing and tightening the motor mounting bolts.

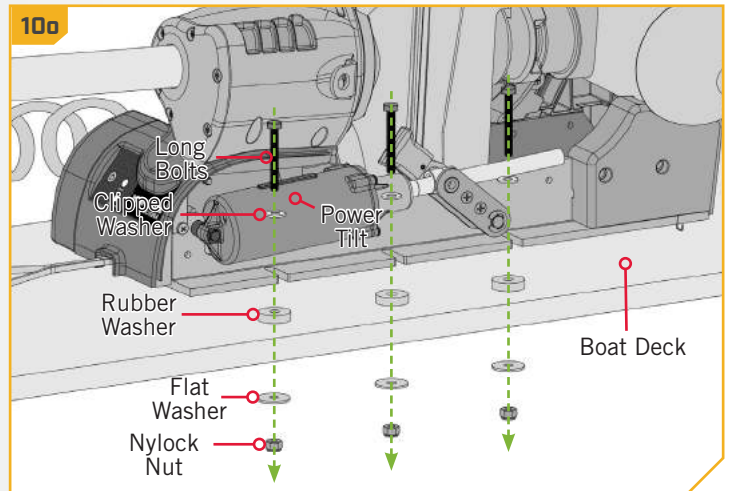


# INSTALLING THE ULTERRA

10

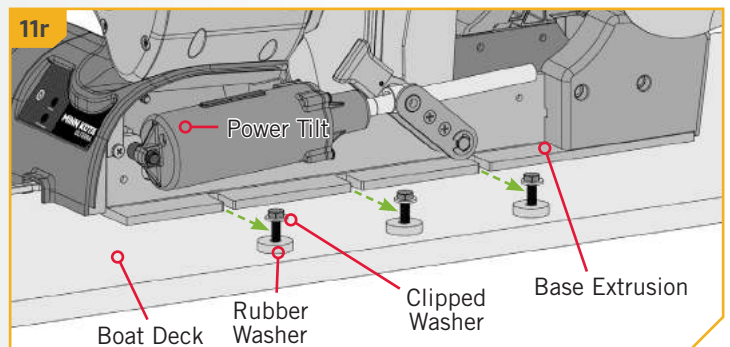
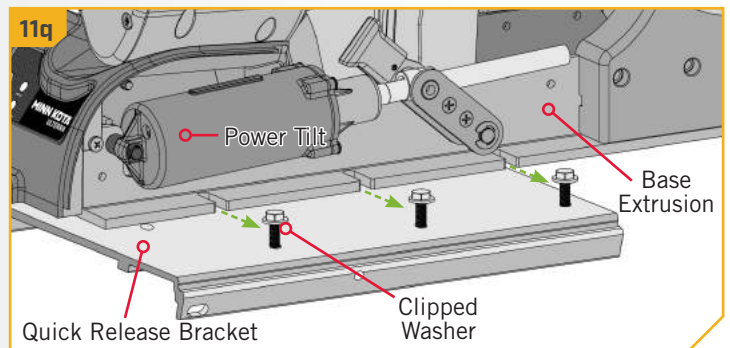
- o. **If installing directly to the boat deck,** install the motor with the Long Bolts (Item #3), Clipped Washer (Item #5), Flat Washer (Item #6) and Nylock Nut (Item #7). Orientate the Clipped Washers so that the flat side of the washer is towards the Base Extrusion. The Bolt should pass through the Clipped Washer, the Rubber Washer and then through the Boat Deck. The Bolt should be secured by first adding the Flat Washer (Item #6) to the Bolt and securing with a Nylock Nut (Item #7). Leave at least 1/4" space between the Hex Head Bolt and Clipped Washer and the deck of the boat. This will leave enough space to slide the Base Extrusion between the Clipped Washer and Rubber Washer and into place.

**NOTICE:** The Short Bolts are not used when installing the Ulterra directly to the boat.



11

- p. Slide the Base Extrusion into place under the Bolts that were just installed.
- q. **If installing with a Quick Release Bracket,** the Base Extrusion should slide between the Quick Release Bracket and the Clipped Washers. Hold the Clipped Washers up on the Hex Head Bolt, so the Clipped Washer will sit on top of the Base Extrusion.
- r. **If installing directly to the boat deck,** the Base Extrusion should slide between the Clipped Washer and the Rubber Washer. Hold the Clipped Washers up on the Long Bolt, so the Clipped Washer will sit on top of the Base Extrusion.





12

ITEM(S) NEEDED



#6 x 3



#3 x 3



#5 x 3



#7 x 3



#4 x 3

**NOTICE:** To prevent seizing of the stainless steel hardware, do not use high speed installation tools. Wetting the screws or applying an anti-seize may help prevent seizing.

- s. Place the hardware on the Damper side of the mount into the Mounting Holes to secure the Base Extrusion.
- t. **If installing with a Quick Release Bracket,** install the motor with the Hex Head Bolts (Item #4) and Clipped Washers (Item #5). Orientate the Clipped Washers so that the flat side of the washer is towards the Base Extrusion. The Bolt should pass through the Clipped Washer, Base Extrusion and into a Quick Release Bracket.

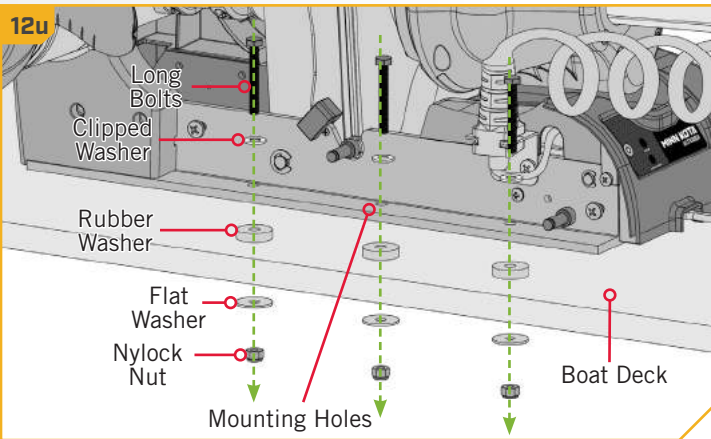
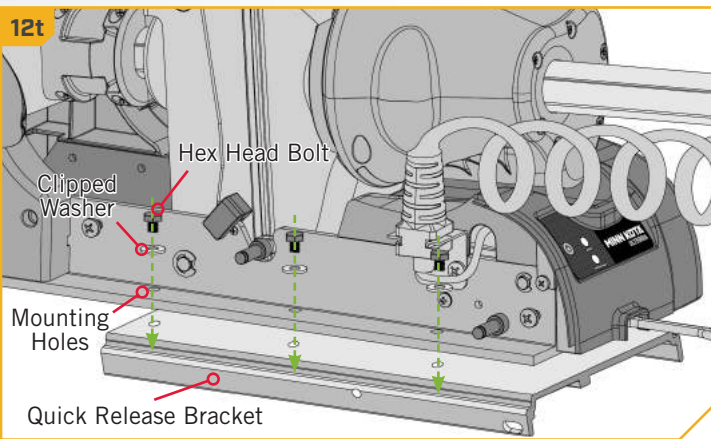
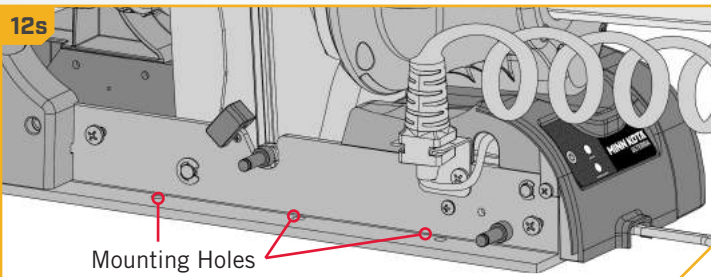
**NOTICE:** The Long Bolts, Flat Washers and Nylock Nut are not used when installing the Ultrerra with a Quick Release Bracket.

- u. **If installing directly to the boat deck,** install the motor with the Long Bolts (Item #3), Clipped Washer (Item #5), Flat Washer (Item #6) and Nylock Nut (Item #7). Orientate the Clipped Washers so that the flat side of the washer is towards the Base Extrusion. The Bolt should pass through the Clipped Washer, the Base Extrusion, the Rubber Washer and then through the Boat Deck. The Bolt should be secured by first adding the Flat Washer (Item #6) and then securing with a Nylock Nut (Item #7).

**NOTICE:** The Short Bolts are not used when installing the Ultrerra directly to the boat.

**CAUTION**

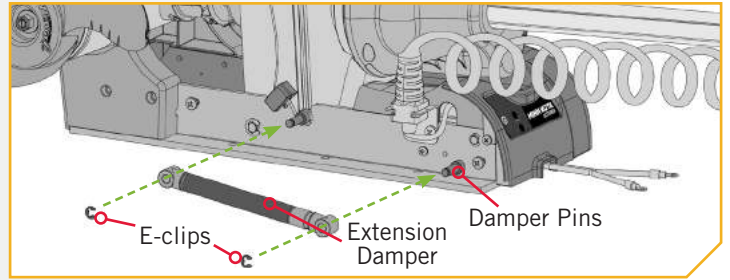
Use extra care to avoid pinching and damaging the sensor wires that run along side of the Base Extrusion when installing and tightening the motor mounting bolts.



# INSTALLING THE ULTERRA

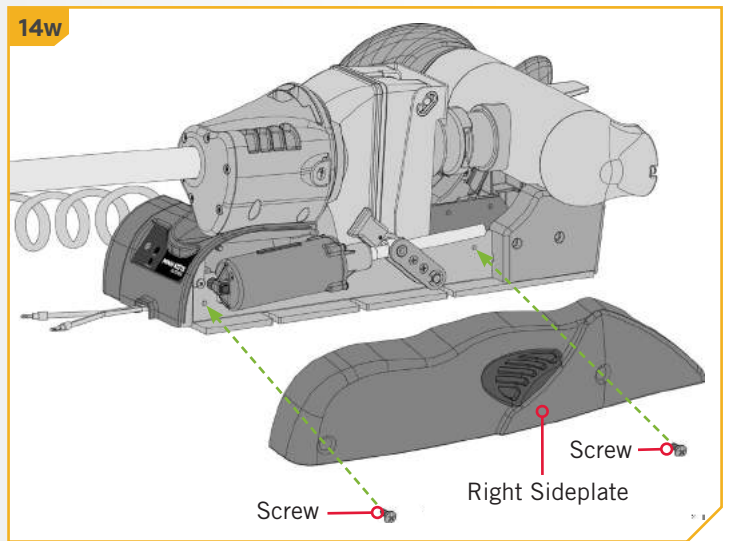
**13**

- v. At this point in the installation process the Motor should be secured to the deck of the boat, and the Motor can now be reassembled. The Extension Damper can be slid back in place on the Damper Pins. This should be done so the shaft on the Damper is pointing inboard. Reinstall the two 5/16" E-clips.

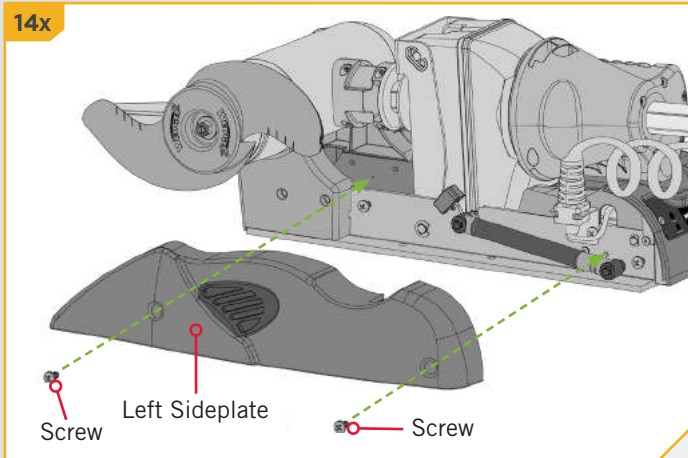


**14**

- w. Replace the Right Sideplate.
- x. Replace the Left Sideplate.
- y. Replace the four sideplate Screws using a #2 or #3 Phillips Screw Driver.



**14x**



**15**

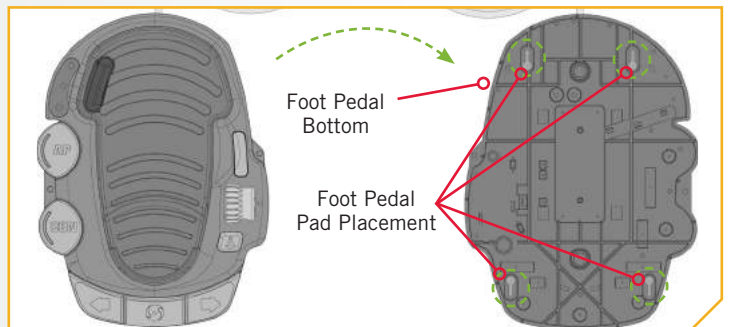
**ITEM(S) NEEDED**

 **#18 x 4**



- z. Take the Foot Pedal (Item #EE) and turn it over. Put a Foot Pedal Pad (Item #18) in each of the pad locations.

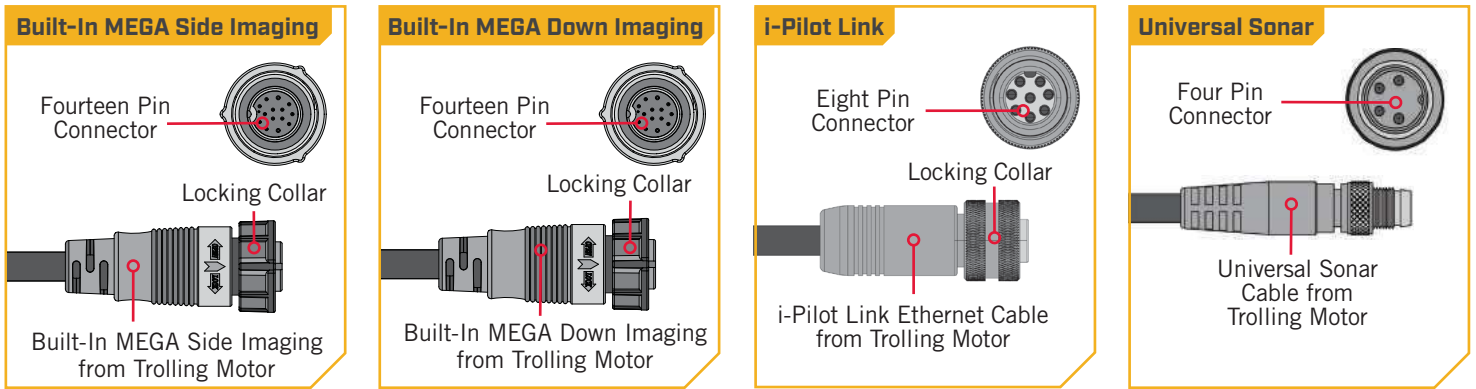
**NOTICE:** The pads are recommended when using the Foot Pedal on non-carpeted surfaces.



# IDENTIFYING TROLLING MOTOR FEATURES BY THEIR ASSOCIATED CABLES

## IDENTIFYING TROLLING MOTOR FEATURES AND THEIR ASSOCIATED CABLES

Your trolling motor may be pre-installed with Built-In MEGA Side Imaging, Built-In MEGA Down Imaging OR Universal Sonar, and may include i-Pilot Link. All of these features require cables to be connected to an output device. These connections are present on the trolling motor and have cables that exit below the Control Head. To better identify cables present, refer to the diagrams below that detail what the Built-In MEGA Side Imaging, Built-In MEGA Down Imaging, Universal Sonar and i-Pilot Link cable connectors look like.



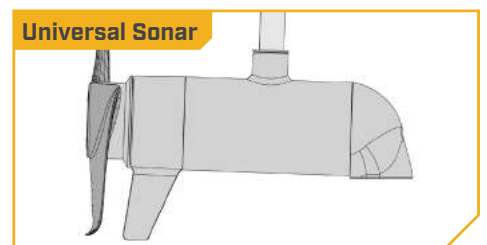
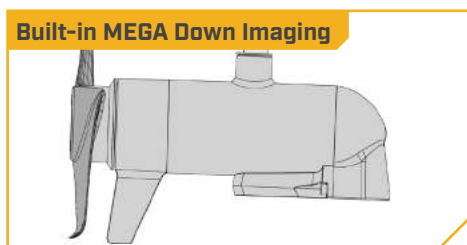
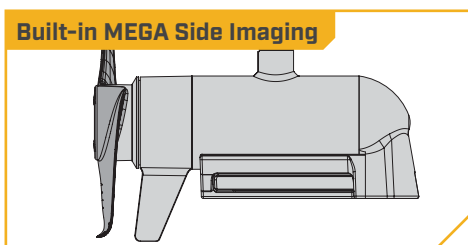
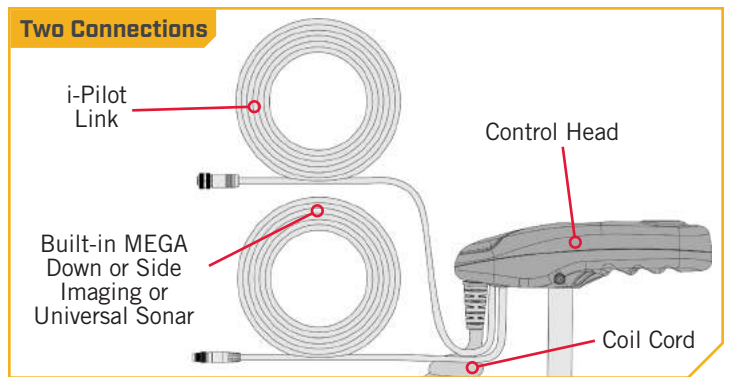
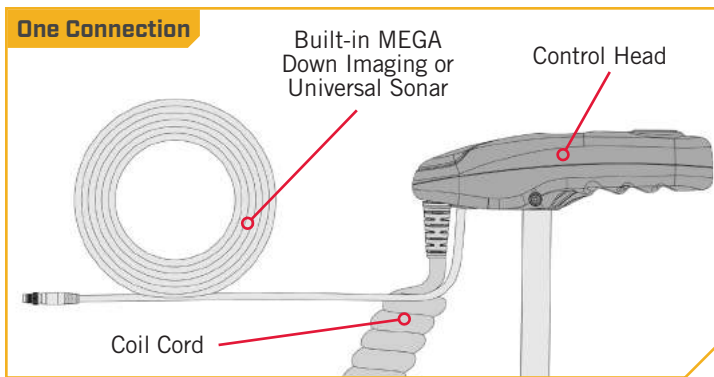
If **one** connection below the Control Head is present, the motor may be equipped with:

1. i-Pilot and Universal Sonar,
2. i-Pilot and Built-in MEGA Down Imaging,
3. ONLY Universal Sonar, or
4. ONLY Built-in MEGA Down Imaging.

If **two** connections below the Control Head are present, the motor may be equipped with either:

1. i-Pilot Link and Universal Sonar,
2. i-Pilot Link and Built-in MEGA Down Imaging or
3. i-Pilot Link and Built-in MEGA Side Imaging

**NOTICE:** The i-Pilot system does not have an external wired connection. On current models, Built-in MEGA Side Imaging is installed with i-Pilot Link. To further help determine your motor type, motors with Built-in MEGA Down Imaging and Built-in MEGA Side Imaging will have different geometry in the lower unit.



# ROUTING CONNECTION CABLES

## ROUTING CONNECTION CABLES

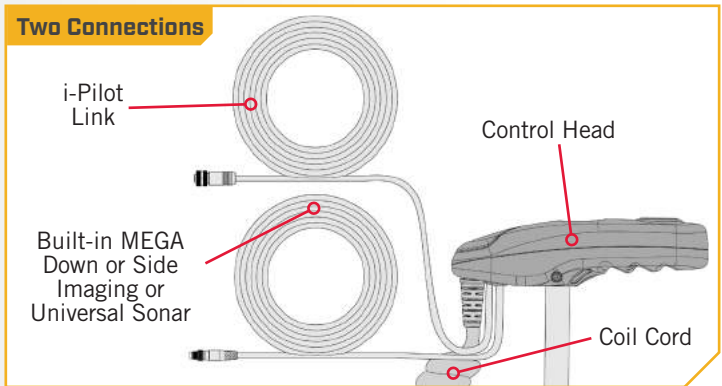
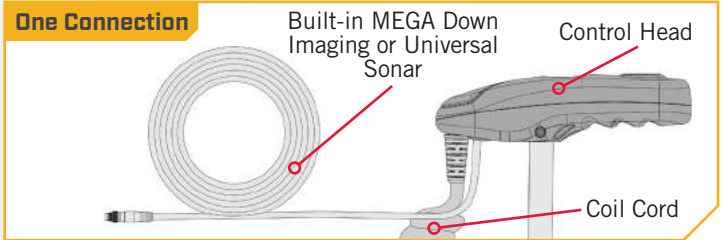
Please follow these instructions for routing any and all of the cables present for any of the pre-installed features that may come with your trolling motor. This routing should be followed whether there are one or two connection cables present. If you are unsure of the cables present, please review the “Identifying Trolling Motor Features By Their Associated Cables” section of these Installation Instructions.

- 1
  - a. Place the motor in the deployed position.
  - b. Locate the Built-in MEGA Down Imaging, Built-in MEGA Side Imaging, i-Pilot Link and/or Universal Sonar cable(s), at the base of the Control Head.

### CAUTION

Not following the recommended wire routing for the Built-in MEGA Down Imaging, Built-in MEGA Side Imaging, i-Pilot Link and/or Universal Sonar cable(s), if equipped, may cause damage to the product and void your product warranty. Route cables away from pinch points or other areas that may cause them to bend in sharp angles. Routing the cables in any way other than directed may cause damage to the cables by being pinched or severed.

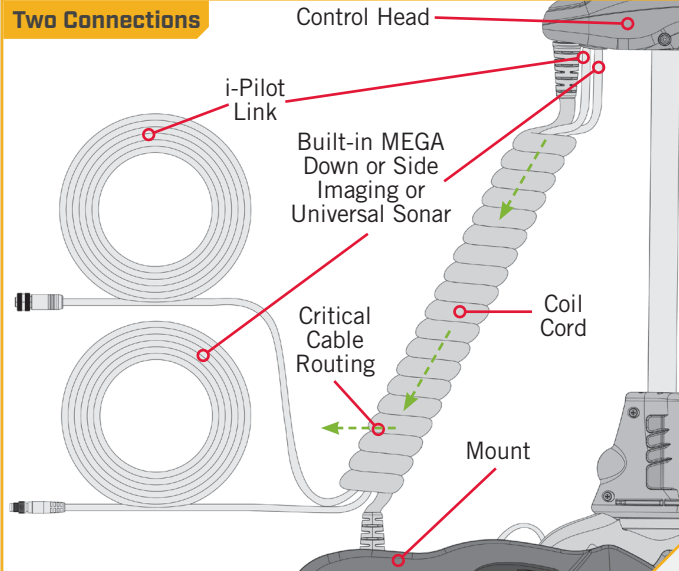
**NOTICE:** Universal Sonar connector shown for illustration purposes.



## FEATURE OVERVIEW AND CONNECTING THE CABLES

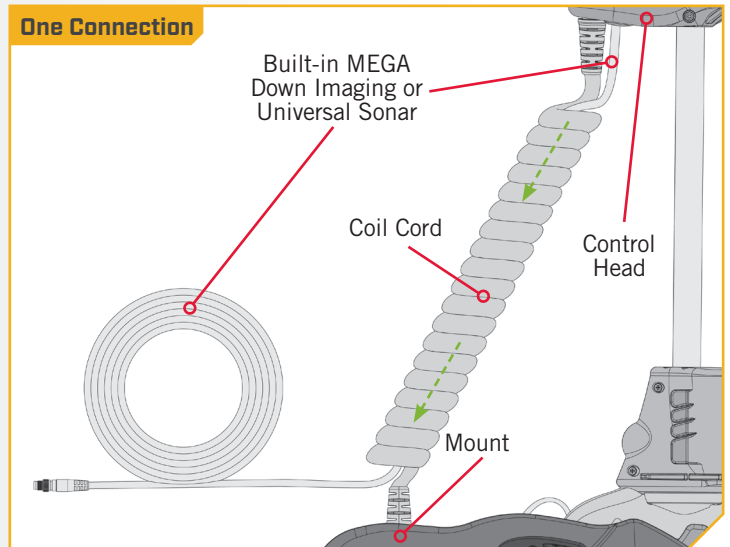
2

- c. The cable(s) should be fed all the way through the Coil Cord. If they should exit the Coil Cord at the bottom of the Coil Cord, where it connects to the Mount.



**NOTICE:** Critical cable routing for 60" and 72" motors with i-Pilot Link and Built-in MEGA Imaging. Accessory Cables must exit the Coil Cord leaving three or more open coils between where the cables exit and the motor base; as assembled by the factory. Routing the cables in any other manner will not allow the motor to stow properly.

### One Connection



**NOTICE:** After the cable(s) exit(s) the Coil Cord, it/they should be routed through an established routing system on the boat, in an area with minimal interference. Power cables or other elements that may produce interference for the sonar signals. Inspect the selected route carefully to ensure that there are no sharp edges, obstacles, or obstructions that may damage the cables.

## FEATURE OVERVIEW AND CONNECTING THE CABLES

The cables from the Control Head, for each feature installed on the trolling motor, are separately connected to an output device. Once the features that may be installed are identified, follow the instructions below to ensure the cables are connected correctly.

### › Built-In MEGA Side Imaging

MEGA Imaging technology took fish finding into the megahertz frequency for the very first time. Now built-In MEGA Side Imaging+ delivers up to 3X the output of standard Side Imaging®. Humminbird improved this technology even further by extending the depth range and expanding the side coverage areas, all while improving the crystal clear imagery. Built-In MEGA Side Imaging+ comes available in the Minn Kota flagship families of trolling motors, including Ultrex and Ulterra, with 200 feet of coverage on either side of your boat. With Humminbird MEGA imaging sonar built right into the trolling motor, you now have a crystal clear view of what's directly to the left and right of your boat, without having to manage all of the cables that come with external transducers. The Built-In MEGA SI transducer is only available on new models equipped from the factory and cannot be added to an existing trolling motor.

The Built-in MEGA SI transducer will provide MEGA Side Imaging to select Humminbird models. All Built-In MEGA SI trolling motors, will come "Solix Ready" out of the box. An adapter cable accessory (MKR-MI-1 1852088) is available for purchase that will allow the connection of any compatible Humminbird Helix fish finder. The MKR-MI-1 is used on Helix 8, 9, 10 and 12 models. See the [Built-In MEGA Side Imaging Compatibility](#) chart online.



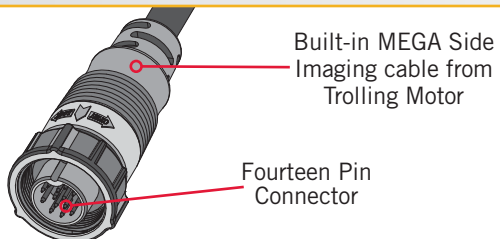
# FEATURE OVERVIEW AND CONNECTING THE CABLES

**NOTICE:** You can only view MEGA Side Imaging with a MEGA DI or MEGA SI HELIX G2N or G3N Series model and a required adapter, or with any SOLIX Series model. The built-in transducer cannot supply MEGA Down Imaging to Humminbird models that do not already have the capability. If you have a G2/G2N or a G3/G3N HELIX that is not a MEGA SI or MEGA DI model, you will still get 2D Dual Spectrum CHIRP Sonar from the transducer. SOLIX G1 and HELIX G2 and G2N units need to be running the latest software update to view sonar from motors with Built-In MEGA Imaging. You can get the latest version of software for your fish finder online on [humminbird.com](http://humminbird.com). Built-In MEGA SI is not supported by HELIX G1 models or other brands of fish finders.

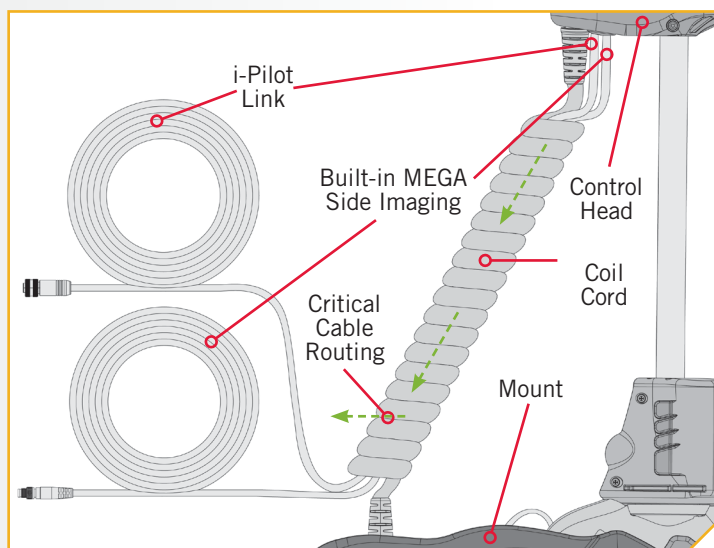
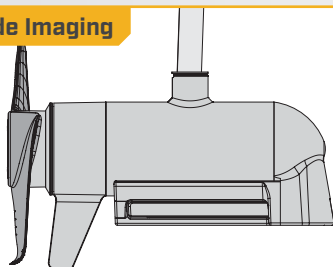
1

- a. Place the motor in the deployed position.
- b. The Built-In MEGA Side Imaging connector from the Control Head is a 14 pin connector. Built-In MEGA Side Imaging is only installed with motors installed with the i-Pilot Link system. Locate and identify the correct connection for Built-in MEGA Side Imaging cable(s), at the base of the Control Head.

**NOTICE:** Built-in MEGA Side Imaging is only paired with i-Pilot Link on either an Ultrex or Ultrera motor.



## Built-in MEGA Side Imaging



**NOTICE:** Critical cable routing for 60" and 72" motors with i-Pilot Link and Built-in MEGA Imaging. Accessory Cables must exit the Coil Cord leaving three or more open coils between where the cables exit and the motor base; as assembled by the factory. Routing the cables in any other manner will not allow the motor to stow properly.



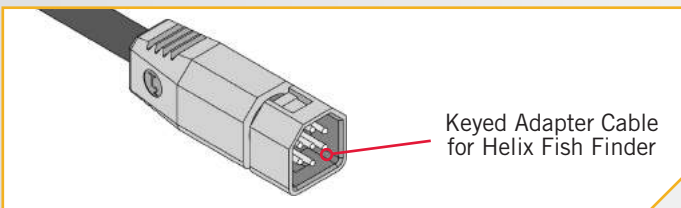
# FEATURE OVERVIEW AND CONNECTING THE CABLES

2

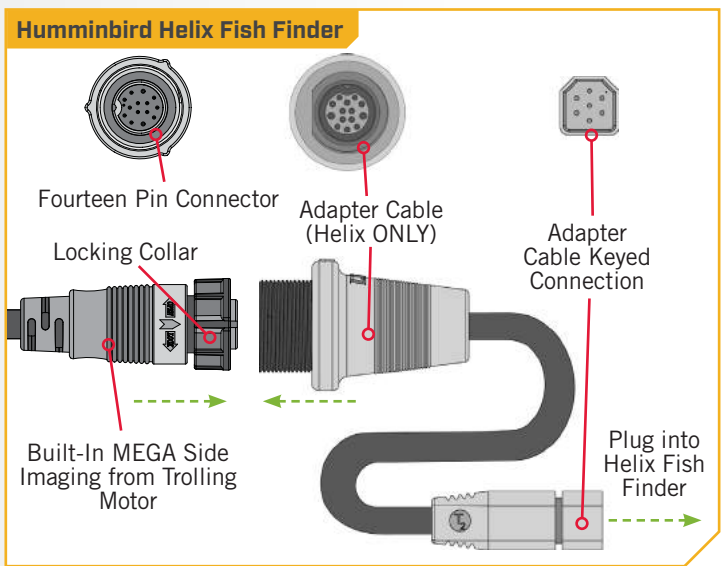
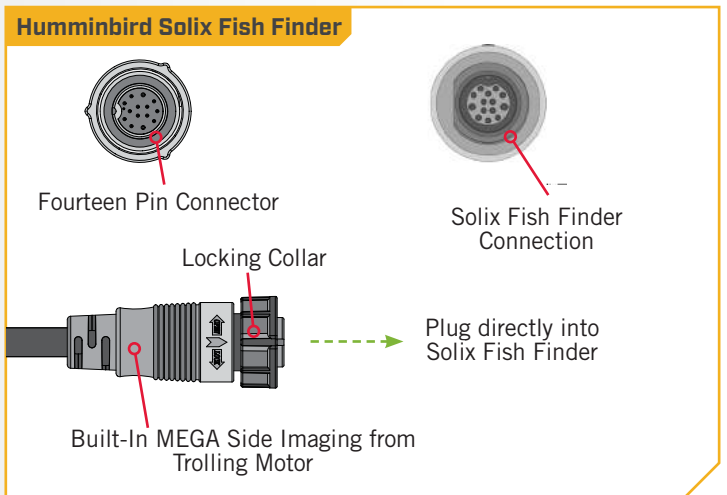
- c. **When installing with a Solix**, the Built-In MEGA Side Imaging cable can be plugged directly into the Solix fish finder. Plug the Built-in MEGA Side Imaging cable into the corresponding connection on the Solix fish finder.
- d. **When installing with a Helix**, first attach the Adapter Cable and then plug the Adapter Cable into the Helix fish finder. The Adapter Cable will only have one connection that is keyed on the back of the Helix fish finder. Plug the Adapter Cable into the only matching keyed connection on the Helix fish finder.

**NOTICE:** Check for compatibility or any required adapter cables online at [minnkotamotors.com](http://minnkotamotors.com). The cable from the trolling motor can be extended with a 10' Extension Cable #720081-1 found at [humminbird.com](http://humminbird.com).

**NOTICE:** If any cables need to be routed, please follow the guidelines in the Routing Connection Cables section of these installation instructions.



**NOTICE:** The connectors are keyed to prevent reversed installation.



**NOTICE:** The MKR-MI-1 (1852088) is used on Helix 8, 9, 10 and 12 models.

## › Built-In MEGA Down Imaging

Built-In MEGA Down Imaging delivers nearly 3X the output of standard Side Imaging®, and takes fishfinding into the megahertz frequency for the very first time. The Minn Kota flagship families of trolling motors, including Ultrex, Ulterra, Terrova, and Fortrex, now include Built-In MEGA Down Imaging sonar, the clearest imaging available only from Humminbird. With Humminbird MEGA imaging sonar built right into the trolling motor, you now have a crystal clear view of what's directly beneath the boat, without having to manage all of the cables that come with external transducers. The Built-In MEGA DI transducer is only available on new models equipped from the factory and cannot be added to an existing trolling motor.

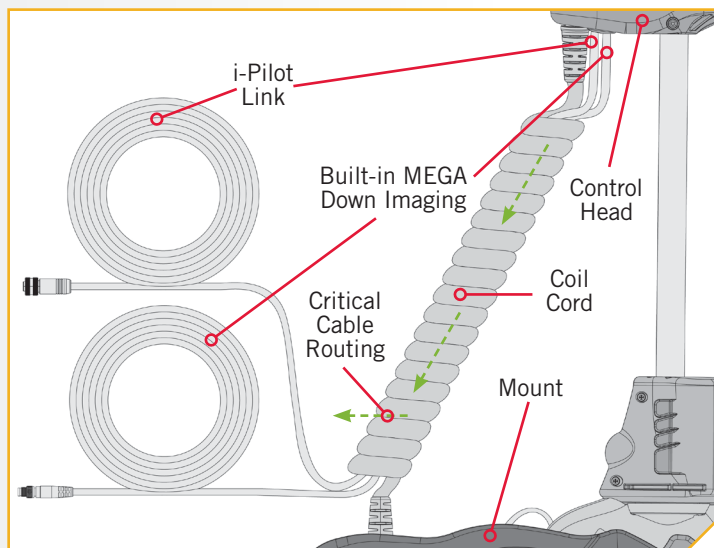
# FEATURE OVERVIEW AND CONNECTING THE CABLES

The Built-in MEGA DI transducer will provide both MEGA Down Imaging and 2D CHIRP Digital Sonar to select Humminbird models. All Built-In MEGA DI trolling motors, will come “Solix Ready” out of the box. An adapter cable accessory (MKR-MI-1 1852088 or MKR-MDI-2 1852086) is available for purchase that will allow the connection of any compatible Humminbird Helix fish finder. The MKR-MI-1 is used on Helix 8, 9, 10 and 12 models. The MKR-MDI-2 is used for Humminbird Helix 7 models only. See the [Built-In MEGA Down Imaging Compatibility](#) chart online.

**NOTICE:** You can only view MEGA Down Imaging with a MEGA DI or MEGA SI HELIX G2N or G3N Series model and a required adapter, or with any SOLIX Series model. The built-in transducer cannot supply MEGA Down Imaging to Humminbird models that do not already have the capability. If you have a G2/G2N or a G3/G3N HELIX that is not a MEGA SI or MEGA DI model, you will still get 2D CHIRP Digital Sonar from the transducer. SOLIX G1 and HELIX G2 and G2N units need to be running the latest software update to view sonar from motors with Built-In MEGA Imaging. You can get the latest version of software for your fish finder online on [humminbird.com](http://humminbird.com). Built-In MEGA DI is not supported by HELIX G1 models or other brands of fish finders.

- 1
  - a. Place the motor in the deployed position.
  - b. The Built-In MEGA Down Imaging connector from the Control Head is a 14 pin connector. Built-In MEGA Down Imaging may be installed on its own, or in conjunction with an i-Pilot or i-Pilot Link system. It will never be installed with Universal Sonar. Locate and identify the correct connection for Built-in MEGA Down Imaging cable(s), at the base of the Control Head.

**NOTICE:** Built-in MEGA Down Imaging is always paired with either i-Pilot or i-Pilot Link on Terrova, Ulterra and Ultrex motors.

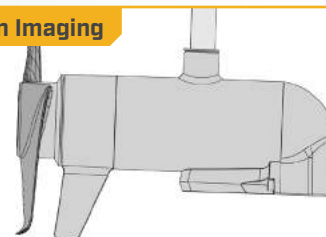


Fourteen Pin Connector  
Built-in MEGA Down Imaging cable from Trolling Motor



**NOTICE:** Critical cable routing for 60" and 72" motors with i-Pilot Link and Built-in MEGA Imaging. Accessory Cables must exit the Coil Cord leaving three or more open coils between where the cables exit and the motor base; as assembled by the factory. Routing the cables in any other manner will not allow the motor to stow properly.

## Built-in MEGA Down Imaging



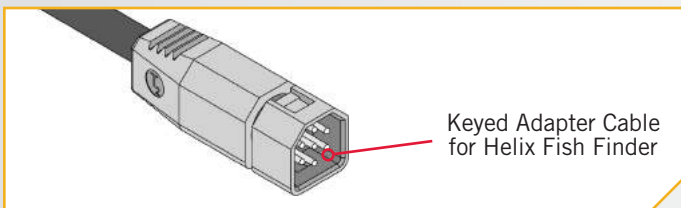
# FEATURE OVERVIEW AND CONNECTING THE CABLES

2

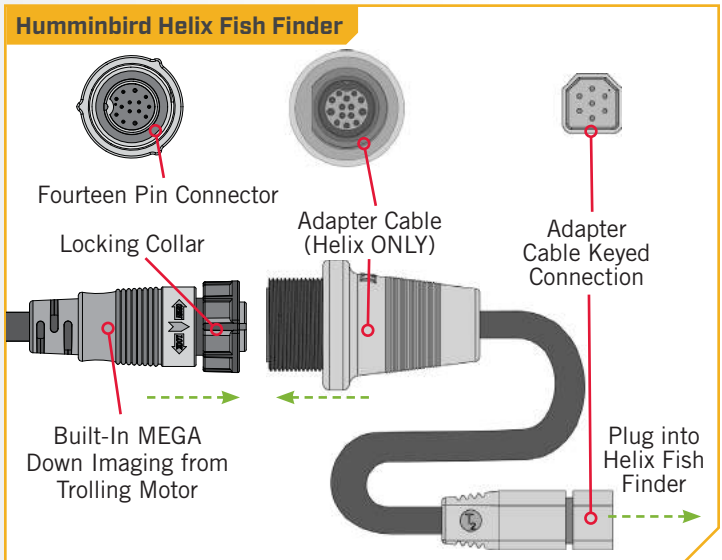
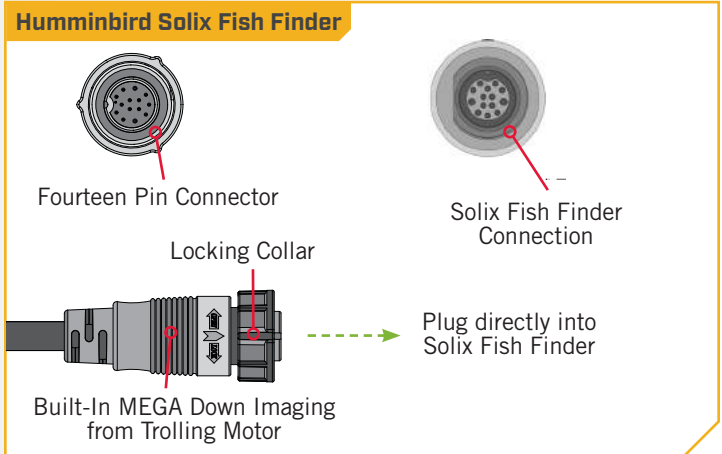
- c. **When installing with a Solix**, the Built-In MEGA Down Imaging cable can be plugged directly into the Solix fish finder. Plug the Built-in MEGA Down Imaging cable into the corresponding connection on the Solix fish finder.
- d. **When installing with a Helix**, first attach the Adapter Cable and then plug the Adapter Cable into the Helix fish finder. The Adapter Cable will only have one connection that is keyed on the back of the Helix fish finder. Plug the Adapter Cable into the only matching keyed connection on the Helix fish finder.

**NOTICE:** Check for compatibility or any required adapter cables online at [minnkotamotors.com](http://minnkotamotors.com). The cable from the trolling motor can be extended with a 10' Extension Cable #720081-1 found at [humminbird.com](http://humminbird.com).

**NOTICE:** If any cables need to be routed, please follow the guidelines in the Routing Connection Cables section of these installation instructions.



**NOTICE:** The connectors are keyed to prevent reversed installation.



**NOTICE:** The MKR-MI-1 is used on Helix 8, 9, 10 and 12 models. The MKR-MDI-2 is used for Humminbird Helix 7 models only.

## › Universal Sonar

Your trolling motor may be pre-installed with a Universal Sonar transducer system. Universal Sonar is a 2D sonar transducer with a temperature sensor that is integrated into the lower unit of the trolling motor. It has an operating frequency of 83/200 kHz. Connecting this transducer to a compatible fish finder gives you a 2D sonar view of what is happening directly below your trolling motor. The integrated design protects the transducer from underwater hazards, and prevents tangles and damage to the transducer cables.

All Universal Sonar motors are equipped with an internal bonding wire, incorrect rigging will cause sonar interference and can damage your trolling motor, electronics and other boat accessories. To minimize trolling motor interference, ensure that the fish finder and trolling motor are powered by separate batteries. Please refer to the Battery & Wiring Installation and Motor Wiring Diagram sections of this manual for correct rigging instructions.

# FEATURE OVERVIEW AND CONNECTING THE CABLES

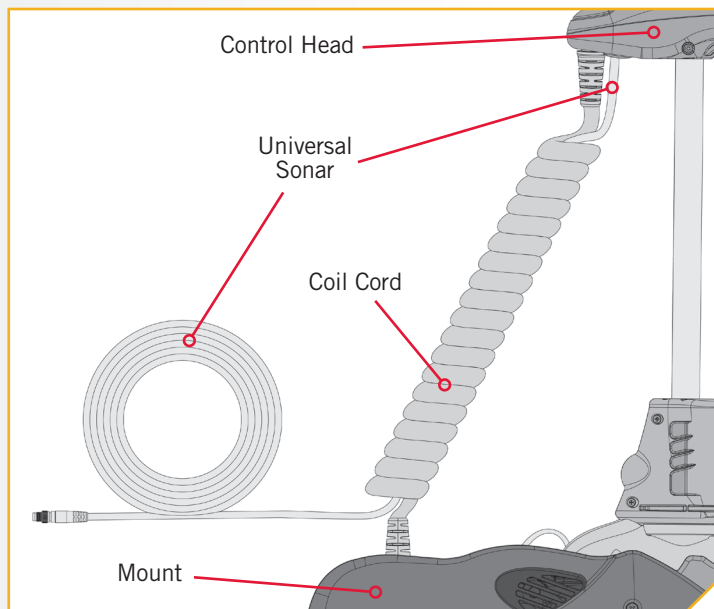
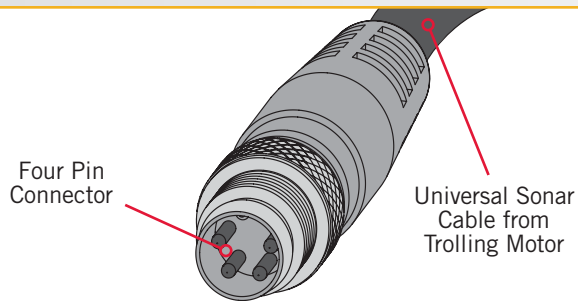
The Universal Sonar Cables are shielded to minimize interference. To protect this shielding the cables should not be pulled tight against sharp angles or hard objects. If using cable ties, do not over-tighten. Any excess cable should be bundled in a loose loop of no less than 4" in diameter. In certain situations, air bubbles may adhere to the surface of the Universal Sonar transducer, and affect the performance. If this happens simply wipe the surface of the transducer with your finger.

**NOTICE:** Universal Sonar does not support imaging screens that require higher frequencies such as 455 kHz, 800 kHz or 1.2mHz (Down Imaging, Side Imaging, etc.). Down Imaging (DI) specific units are not compatible with Universal Sonar. See compatibility chart for a list of compatible fish finders at [minnkotamotors.com](http://minnkotamotors.com).

The connector for Universal Sonar exits the trolling motor below the Control Head and consists of a 4-pin plug. An adapter cable (sold separately) will convert the 4-pin plug to the correct transducer connector for your fish finder, and is required for all installations. For a current list of compatible fish finders and the correct adapter cable, or more information on Universal Sonar, please visit [minnkotamotors.com](http://minnkotamotors.com).

- 1
  - a. Place the motor in the deployed position.
  - b. Locate the Universal Sonar, if equipped, at the base of the Mount.
  - c. Locate the Universal Sonar four pin connector at the end of Universal Sonar Extension Cable. The connector is black with a stainless steel threaded locking collar.

**NOTICE:** Your fish finder should be turned off until this procedure is complete.



**NOTICE:** If the cable length does not reach the desired fish finder installation location, a 14.5' extension cable is available (MKR-US2-11) (sold separately).

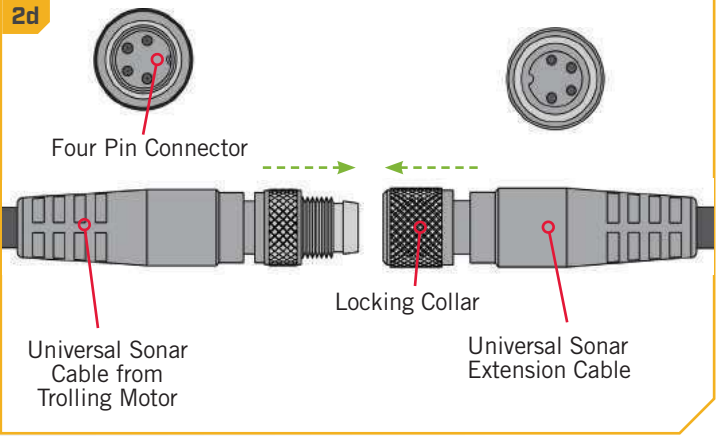
## FEATURE OVERVIEW AND CONNECTING THE CABLES

2

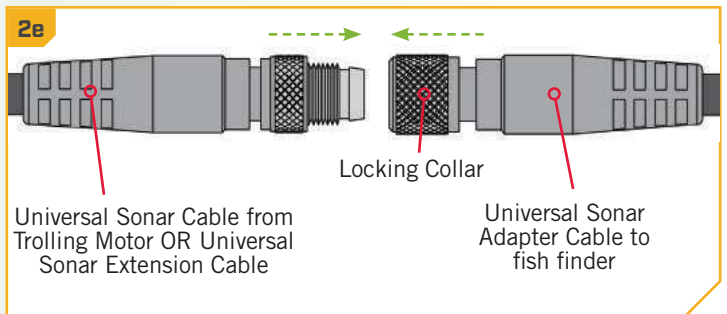
**NOTICE:** The Universal Sonar Cable may not be long enough to reach the fish finder. If the cable length does not reach the desired fish finder installation location, a 14.5' extension cable is available to purchase. Minn Kota recommends using the MKR-US2-11.

- d. Take the Universal Sonar Extension Cable, if needed, and attach it to the Universal Sonar Cable exiting the Control Head. Firmly push the plug together and twist the locking collar until it is snug.
- e. Install the Universal Sonar Cable that exists the Control Head or the Universal Sonar Extension Cable (if used) to the appropriate Universal Sonar Adapter Cable. Install the Adapter Cable to your fish finder. Refer to your fish finder manual for complete installation instructions.

**NOTICE:** If any cables need to be routed, please follow the guidelines in the Routing Connection Cables section of these installation instructions.



**NOTICE:** The connectors are keyed to prevent reversed installation.



### › i-Pilot Link

i-Pilot Link allows your Minn Kota trolling motor and Humminbird to communicate with each other to change the way you fish. i-Pilot Link delivers a large array of GPS capabilities including controlling speed, steering, Spot-Lock, and the ability to record and retrace paths on the water, all at your fingertips. To learn more about the GPS capabilities available with your i-Pilot Link navigation system, please refer to the Owner's Manual by visiting [minnkotamotors.com](http://minnkotamotors.com).

The i-Pilot Link remote and controller make up the i-Pilot Link navigation system. The i-Pilot Link remote comes paired to the controller from the factory. The i-Pilot Link controller contains a very sensitive compass and is where all GPS satellite and i-Pilot Link remote signals are received. The i-Pilot Link controller is contained in the trolling motor Control Head and is connected to a fish finder from a connection cable that exits the Control Head.

The Ethernet cable for the i-Pilot Link system has an 8 pin connector. The i-Pilot Link system can be connected directly to the Humminbird or to the Humminbird Ethernet Switch (optional). If you purchase an Ethernet Switch, install it using the instructions included in the Ethernet Installation Guide. A 30' Ethernet Extension Cable has been included with every motor equipped with i-Pilot Link. It may or may not be needed for every installation. To purchase Ethernet switches, Ethernet cables, and extension cables, visit the web site [humminbird.com](http://humminbird.com) or call Humminbird Customer Service at 1-800-633-1468. Depending on the shape of the Ethernet port on your Humminbird fish finder, an additional ethernet adapter cable (**Ethernet Adaptor Cable AS EC QDE #720074-1 for Helix fish finders**) may be

**NOTICE:** The i-Pilot Link system needs an external wired connection. The i-Pilot system does not need an external wired connection.

# FEATURE OVERVIEW AND CONNECTING THE CABLES

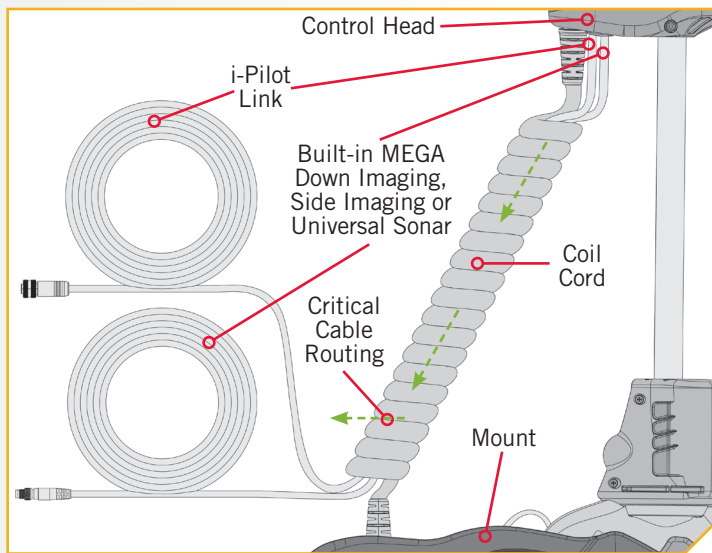
required for the installation. Refer to your fish finder operations manual or see the [i-Pilot Link Compatibility Chart](#) on our web site with a list of all compatible Humminbird Units and SD Cards.

1

- a. Place the motor in the deployed position.
- b. The i-Pilot Link connector from the Control Head is an 8 pin connector. Locate and identify the correct connection for i-Pilot Link, at the base of the Control Head.

**NOTICE:** i-Pilot Link will be paired with either Built-in MEGA Down Imaging, Side Imaging or Universal Sonar on Ultrex, Ultrera or Terra.

**NOTICE:** Paired with a Universal Sonar connector for illustration purposes. A Built-in MEGA Down Imaging connector may be present instead.



**NOTICE:** Critical cable routing for 60" and 72" motors with i-Pilot Link and Built-in MEGA Imaging. Accessory Cables must exit the Coil Cord leaving three or more open coils between where the cables exit and the motor base; as assembled by the factory. Routing the cables in any other manner will not allow the motor to stow properly.

2

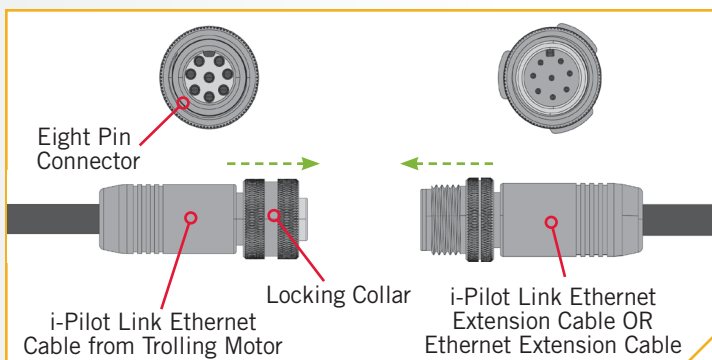
## ITEM(S) NEEDED



- c. If necessary, to reach the installed fish finder, take the i-Pilot Link Ethernet Cable (Item #16) and attach it to the i-Pilot Link cable exiting the Control Head.

**NOTICE:** If any cables need to be routed, please follow the guidelines in the Routing Connection Cables section of these installation instructions.

- d. Install the i-Pilot Link Ethernet Cable directly into the Humminbird fish finder, or refer to your fish finder installation manual for complete installation instructions. If an Adapter Cable is needed (Ethernet Adaptor Cable AS EC QDE for Helix fish finders), install it on the end of the i-Pilot Link Ethernet Cable and refer to your fish finder installation manual for complete installation instructions.



**NOTICE:** The connectors are keyed to prevent reversed installation.



INSTALLING THE PROP

1

ITEM(S) NEEDED

-  #21 x 1
-  #19 x 1
-  #20 x 1
-  #18 x 1

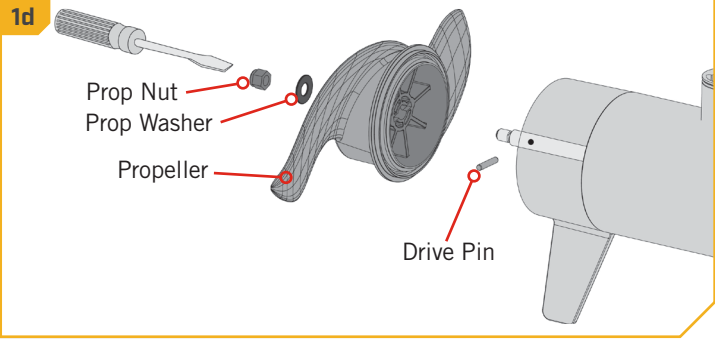
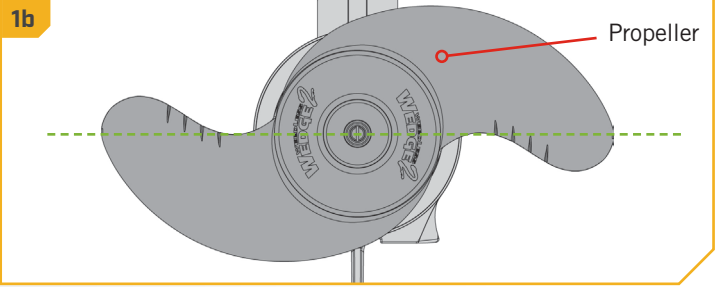
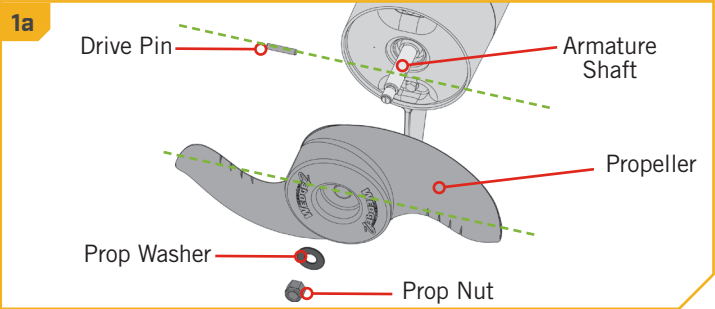
**CAUTION**

Disconnect the motor from the battery before beginning any prop work.

- a. Take the Drive Pin (Item #18) and slide it through the Hole in the Armature Shaft. Position the Drive Pin horizontal by grasping the Armature Shaft and rotating it with the Drive Pin in place.
- b. Align the Propeller (Item #21) so it is also horizontal and parallel with the Drive Pin. Slide the Propeller onto the Armature Shaft and Drive Pin until it is seated against the lower unit.
- c. Install the Prop Washer (Item #19) and the Prop Nut (Item #20) onto the end of the Armature Shaft.
- d. Holding the end of the Armature Shaft with a Flat Blade Screwdriver, tighten the Prop Nut with a 9/16" Open End Wrench.
- e. Tighten the Prop Nut 1/4 turn past snug to 25-35 in-lbs.

**CAUTION**

Do not over tighten as this can damage the prop.



# QUICK STOW & DEPLOY

## QUICK STOW & DEPLOY

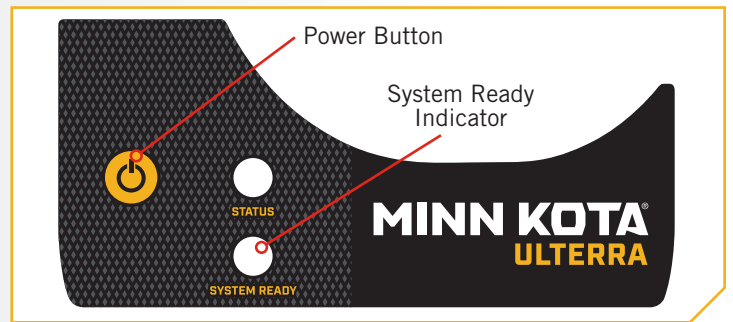
### › Stowing and Deploying the Motor with the Foot Pedal

Use the following procedure to stow and deploy the motor. Keep in mind that if your motor is stalling at a 45-degree angle when attempting to stow, this indicates that batteries are too low to fully stow the motor. If this occurs, reengage power, deploy the motor, trim the motor to its highest setting, and turn power off until batteries can be recharged. Once batteries are charged, attempt to stow motor again.



**NOTICE:** To stow and deploy the Ultrerra with the i-Pilot or i-Pilot Link remote, please refer to the corresponding product literature.

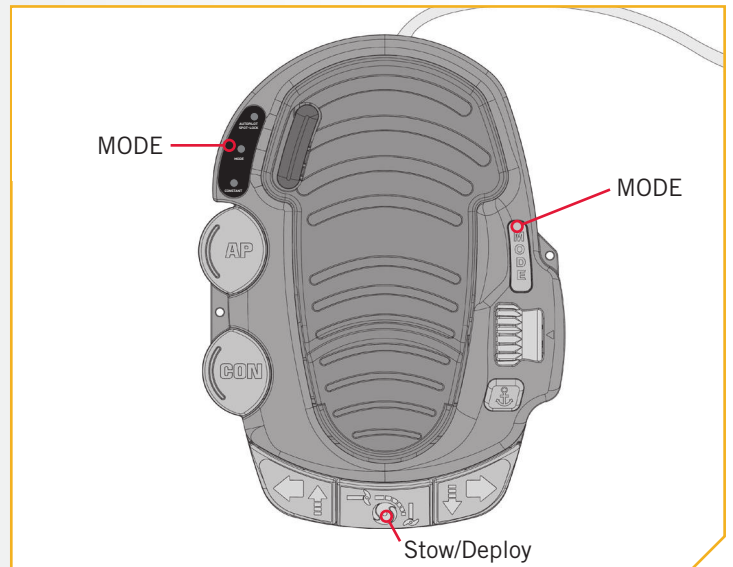
- 1**
  - a. Locate the Indicator Panel at the base of the Mount.
  - b. Make sure that the motor is on by checking that the green LED next to the System Ready Indicator is on.



- 2**
  - c. On the Foot Pedal, press the Mode Button until the amber LED in the center of the Indicator Panel on the Foot Pedal is illuminated. This puts the Foot Pedal in Ultrerra Mode.

**NOTICE:** You can only stow and deploy your motor while in Ultrerra mode.

- d. To deploy the motor, when it is stowed, double press the Stow/Deploy button. To stow the motor, when it is deployed, press the Stow/Deploy button.


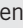
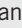


### **WARNING**

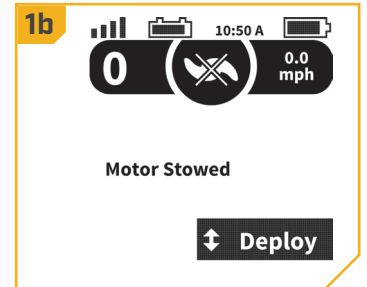
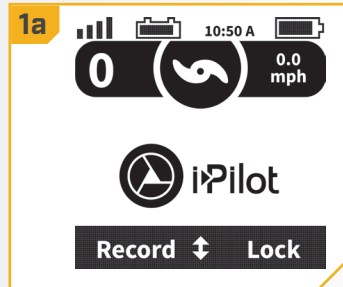
When stowing or deploying the motor, keep fingers clear of all hinges, pivot points and all moving parts. When stowing and deploying the motor, ensure that it doesn't contact the boat, trailer, or any other obstruction.


**NOTICE:** The deploy sequence can be stopped at any time pressing the stow/deploy button. The stow sequence can be stopped at any time by pressing either trim button or the stow/deploy button.

## › Deploying the Motor with i-Pilot

- 1
  - a. Press the Home  button.
  - b. Use the Menu Up  and Menu Down  buttons to find the Deploy menu at the bottom of the display screen.



**NOTICE:** The Deploy menu at the bottom of the display screen can only be found when the motor is stowed.

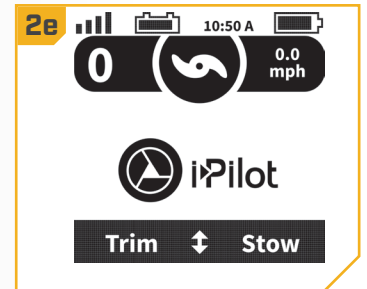
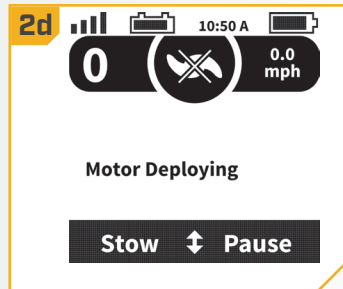


- 2
  - c. Use the Right Softkey  to select the Deploy menu by double pressing it. Once selected the motor will automatically deploy.




### WARNING

As soon as the Deploy menu is selected, the motor will automatically deploy. Be sure the motor is clear from obstructions and has a clear path of travel. The Prop is disabled while the motor is stowed and being deployed to prevent accidental contact with the rotating propeller.

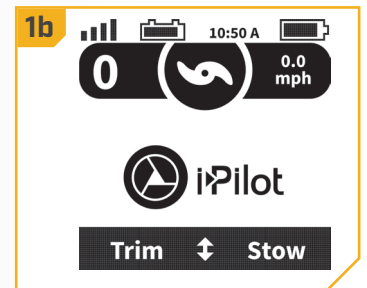
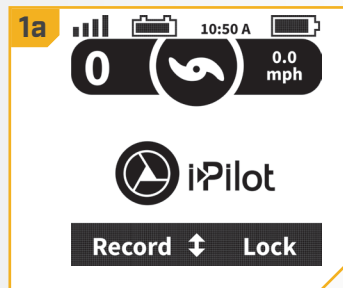
- d. While the Motor is deploying, it is possible to stop the action. Use either the Left Softkey  to select the Stow menu or the Right Softkey  to select the Pause menu.
- e. If the Motor continues, it will complete the deploy process, normal motor operation will follow.



## › Stowing the Motor with i-Pilot


- 1
  - a. Press the Home  button.
  - b. Use the Menu Up  and Menu Down  buttons to find the Stow menu at the bottom of the display screen.

**NOTICE:** The Stow menu at the bottom of the display screen can only be found when the motor is deployed.





# QUICK STOW & DEPLOY

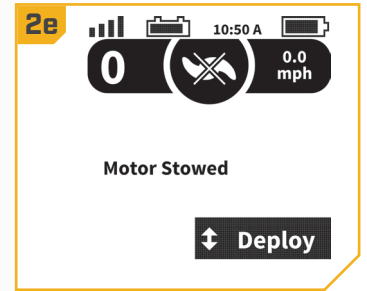
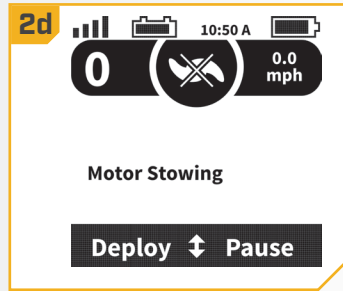
2

- c. Use the Right Softkey  to select the Stow menu. Once selected the motor will automatically stow.

## WARNING





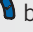
As soon as the Stow menu is selected, the motor will automatically stow. Be sure the motor is clear from obstructions and has a clear path of travel. The Prop is disabled while the motor is being stowed to prevent accidental contact with the rotating propeller.

- d. While the Motor is stowing, it is possible to stop the action. Use either the Left Softkey  to select the Deploy menu or the Right Softkey  to select the Pause menu.
- e. If the Motor continues, it will complete the Stow process and the Prop will be disabled.



## › Deploying the Motor with i-Pilot Link



1

- a. Press the Home  button.
- b. Scroll through the Content Area using either your finger or the Screen Navigation  button to find the Ulterra  button.
- c. Select the Ulterra  button using either your finger or by pressing the Ok  button to open the Ulterra Menu.

**NOTICE:** The Ulterra button can only be found in the Content Area with the Home Control Buttons on i-Pilot Link systems on an Ulterra motor. Certain Home Screen Buttons may be locked out while the motor is stowed because those functions require the motor to be deployed to operate.

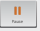



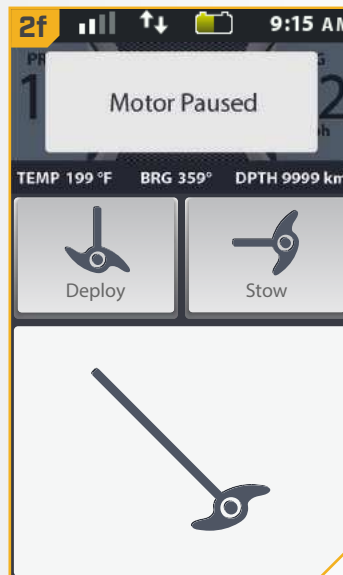
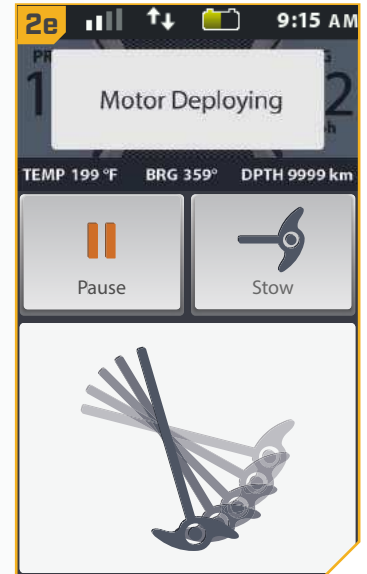
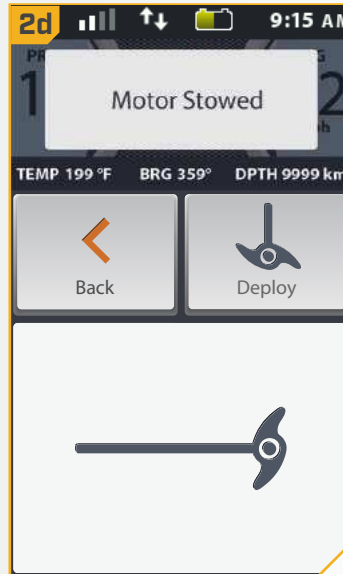
## 2

- d. Once in the Ulterra Menu, find the Deploy  button and select it. The Deploy  button requires a double press to engage.

### WARNING

As soon as the Deploy button is selected, the motor will automatically deploy. Be sure the motor is clear from obstructions and has a clear path of travel. The Prop is disabled while the motor is stowed and being deployed to prevent accidental contact with the rotating propeller.


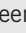
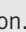


- e. The Ulterra motor will deploy. While the Motor is deploying, it is possible to pause the action. To pause the action, find the Pause  button and select it.
- f. To resume the Deploy action, select the Deploy  button.
- g. If the Motor continues, it will complete the deploy process and normal motor operation will follow.




# QUICK STOW & DEPLOY

## › Stowing the Motor with i-Pilot Link


1


- Press the Home  button.
- Scroll through the Content Area using either your finger or the Screen Navigation  button to find the Ultrera  button.
- Select the Ultrera  button using either your finger or by pressing the Ok  button to open the Ultrera Menu.

**NOTICE:** The Ultrera  button can only be found in the Content Area with the Home Control Buttons on i-Pilot Link systems on an Ultrera motor. The motor can only be stowed when it is currently deployed.





2

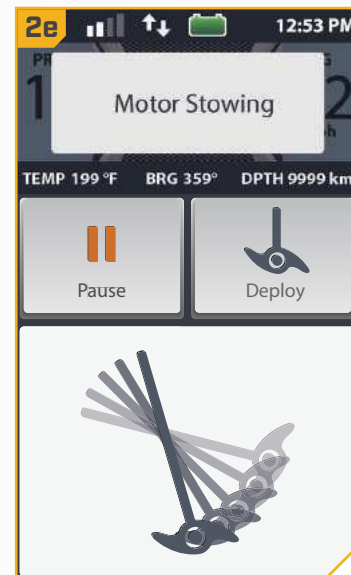
- Once in the Ultrera Menu, find the Stow  button and select it.

**NOTICE:** The Stow  button can only be found when the motor is deployed.

### WARNING


As soon as the Stow  button is selected, the motor will automatically stow. Be sure the motor is clear from obstructions and has a clear path of travel. The Prop is disabled while the motor is being stowed to prevent accidental contact with the rotating propeller.

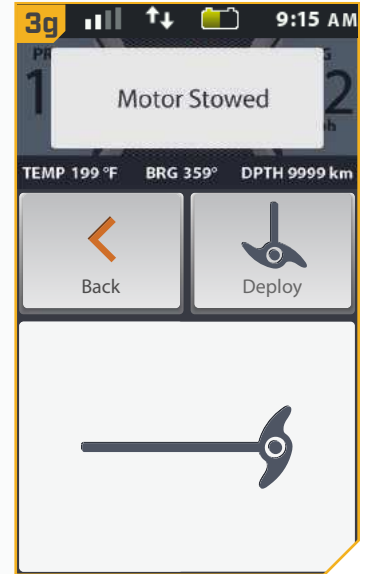
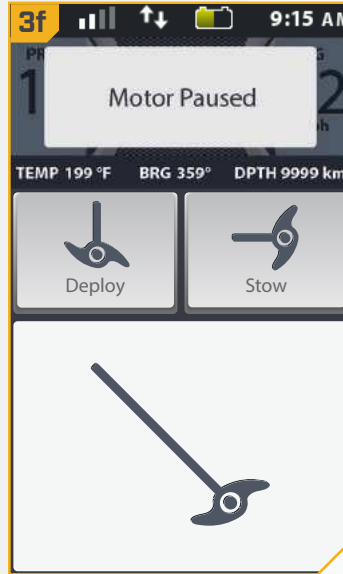
- The Ultrera motor will stow. While the Motor is stowing, it is possible to pause the action. To pause the action, find the Pause  button and select it.





## 3

- f. To resume the Stow action, select the Stow  button.
- g. If the Motor continues, it will complete the Stow process and normal motor operation will follow.



# BATTERY & WIRING INSTALLATION

## BOAT RIGGING & PRODUCT INSTALLATION

For safety and compliance reasons, we recommend that you follow American Boat and Yacht Council (ABYC) standards when rigging your boat. Altering boat wiring should be completed by a qualified marine technician. The following specifications are for general guidelines only:

### CAUTION

These guidelines apply to general rigging to support your Minn Kota motor. Powering multiple motors or additional electrical devices from the same power circuit may impact the recommended conductor gauge and circuit breaker size. If you are using wire longer than that provided with your unit, follow the conductor gauge and circuit breaker sizing table below. If your wire extension length is more than 25 feet, we recommend that you contact a qualified marine technician.

### CAUTION

**An over-current protection device (circuit breaker or fuse) must be used.** Coast Guard requirements dictate that each ungrounded current-carrying conductor must be protected by a manually reset, trip-free circuit breaker or fuse. The type (voltage and current rating) of the fuse or circuit breaker must be sized accordingly to the trolling motor used. The table below gives recommended guidelines for circuit breaker sizing.

## CONDUCTOR GAUGE AND CIRCUIT BREAKER SIZING TABLE

This conductor and circuit breaker sizing table is only valid for the following assumptions:

1. No more than 2 conductors are bundled together inside of a sheath or conduit outside of engine spaces.
2. Each conductor has 105° C temp rated insulation.
3. No more than 5% voltage drop allowed at full motor power based on published product power requirements.

Motor Thrust / Model	Max Amp Draw	Circuit Breaker	Wire Extension Length				
			5 feet	10 feet	15 feet	20 feet	25 feet
30 lb.	30	50 Amp @ 12 VDC	10 AWG	10 AWG	8 AWG	6 AWG	4 AWG
40 lb., 45 lb.	42		10 AWG	8 AWG	6 AWG	4 AWG	4 AWG
50 lb., 55 lb.	50	60 Amp @ 12 VDC	8 AWG	6 AWG	4 AWG	4 AWG	2 AWG
70 lb.	42	50 Amp @ 24 VDC	10 AWG	10 AWG	8 AWG	8 AWG	6 AWG
80 lb.	56	60 Amp @ 24 VDC	8 AWG	8 AWG	8 AWG	6 AWG	6 AWG
101 lb.	46	50 Amp @ 36 VDC	8 AWG	8 AWG	8 AWG	8 AWG	8 AWG
Engine Mount 101	50	60 Amp @ 36 VDC	8 AWG	8 AWG	8 AWG	8 AWG	8 AWG
112 lb.	52	60 Amp @ 36 VDC	8 AWG	8 AWG	8 AWG	8 AWG	8 AWG
Engine Mount 160	116	(2) x 60 Amp @ 24 VDC	6 AWG	6 AWG	4 AWG	2 AWG	2 AWG
E-Drive	40	50 Amp @ 48 VDC	10 AWG	10 AWG	10 AWG	10 AWG	10 AWG

**NOTICE:** Wire Extension Length refers to the distance from the batteries to the trolling motor leads. Consult website for available thrust options. Maximum Amp Draw values only occur intermittently during select conditions and should not be used as continuous amp load ratings.

Reference

United States Code of Federal Regulations: 33 CFR 183 – Boats and Associated Equipment ABYC E-11: AC and DC Electrical Systems on Boats

# SELECTING THE CORRECT BATTERIES

## SELECTING THE CORRECT BATTERIES

The motor will operate with any lead acid, deep cycle marine 12 volt battery/batteries. For best results, use a deep cycle, marine battery with at least a 105 amp-hour rating. Maintain battery at full charge. Proper care will ensure having battery power when you need it, and will significantly improve the battery life. Failure to recharge lead-acid batteries (within 12-24 hours) is the leading cause of premature battery failure. Use a multi-stage charger to avoid overcharging. We offer a wide selection of chargers to fit your charging needs. If you are using a crank battery to start a gasoline outboard, we recommend that you use a separate deep cycle marine battery/batteries for your Minn Kota trolling motor. For more information on battery selection and rigging, please visit [minnkotamotors.com](http://minnkotamotors.com). Minn Kota trolling motors can run on Lithium Ion batteries. However, they are specifically designed to run on traditional lead acid batteries (flooded, AMG or GEL). Lithium Ion batteries maintain higher voltages for longer periods of time than lead acid. Therefore, running a Minn Kota trolling motor at speeds higher than 85% for a prolonged period could cause permanent damage to the motor.

### **WARNING**

Never connect the (+) and the (-) terminals of the same battery together. Take care that no metal object can fall onto the battery and short the terminals. This would immediately lead to a short and extreme fire danger.

### **CAUTION**

Refer to “Conductor Gauge and Circuit Breaker Sizing Table” in the previous section to find the appropriate circuit breaker or fuse for your motor. For motors requiring a 60-amp breaker, the Minn Kota MKR-19 60-amp circuit breaker is recommended.

### **CAUTION**

Please read the following information before connecting your motor to your batteries in order to avoid damaging your motor and/or voiding your warranty.

## ADDITIONAL CONSIDERATIONS

### › **Using Alternator Chargers**

Your Minn Kota trolling motor may be designed with an internal bonding wire to reduce sonar interference. Most alternator charging systems do not account for this bonding wire, and connect the negative posts of the trolling motor batteries to the negative posts of the crank/starting battery. These external connections can damage connected electronics and the electrical system of your trolling motor, voiding your warranty. Review your charger’s manual carefully or consult the manufacturer prior to use to ensure your charger is compatible.

Minn Kota recommends using Minn Kota brand chargers to recharge the batteries connected to your Minn Kota trolling motor, as they have been engineered to work with motors that include a bonding wire.

### › **Additional Accessories Connected to Trolling Motor Batteries**

Significant damage to your Minn Kota motor, your boat electronics, and your boat can occur if incorrect connections are made between your trolling motor batteries and other battery systems. Minn Kota recommends using an exclusive battery system for your trolling motor. Where possible, accessories should be connected to a separate battery system. Radios and sonar units should not be connected to any trolling motor battery systems as interference from the trolling motor is unavoidable. If connecting any additional accessories to any trolling motor battery system, or making connections between the trolling motor batteries and other battery systems on the boat, be sure to carefully observe the information below.

# CONNECTING THE BATTERIES IN SERIES

The negative (-) connection must be connected to the negative terminal of the same battery that the trolling motor negative lead connects to. In the diagrams below this battery is labeled “Low Side” Battery. Connecting to any other trolling motor battery will input positive voltage into the “ground” of that accessory, which can cause excess corrosion. Any damage caused by incorrect connections between battery systems will not be covered under warranty.

## Automatic Jump Start Systems and Selector Switches

Automatic jump start systems and selector switches tie the negatives of the connected batteries together. Connecting these systems to the “High Side” Battery or “Middle” Battery in the diagrams below and will cause significant damage to your trolling motor and electronics. The only trolling motor battery that is safe to connect to one of these systems is the “Low Side” Battery.

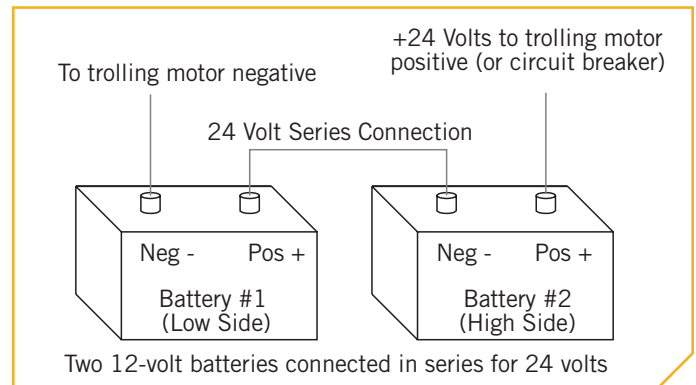
**NOTICE:** The internal bonding wire is equipped with a 3 amp fuse. Improper connections described above carrying in excess of 3 amps will blow this fuse and no further damage will be exhibited. If this occurs, RF interference from the trolling motor affecting sonar units and other electronics will be more significant. If the fuse is blown the wiring error should be found and addressed prior to replacing the fuse. The replacement fuse should be 3 amps or less. An intact fuse does not imply correct rigging; significant damage can be done by incorrect wiring without approaching 3 amps of current.

# CONNECTING THE BATTERIES IN SERIES (IF REQUIRED FOR YOUR MOTOR)

## 24 Volt Systems

Two 12 volt batteries are required. The batteries must be wired in series, only as directed in wiring diagram, to provide 24 volts.

1. Make sure that the motor is switched off (speed selector on “0”).
2. Connect a connector cable to the positive (+) terminal of battery 1 and to the negative (-) terminal of battery 2.
3. Connect positive (+) red motor lead to positive (+) terminal on battery 2.
4. Connect negative (-) black motor lead to negative (-) terminal of battery 1.



## WARNING

For safety reasons do not switch the motor on until the propeller is in the water. If installing a leadwire plug, observe proper polarity and follow instructions in your boat owner’s manual.

## WARNING

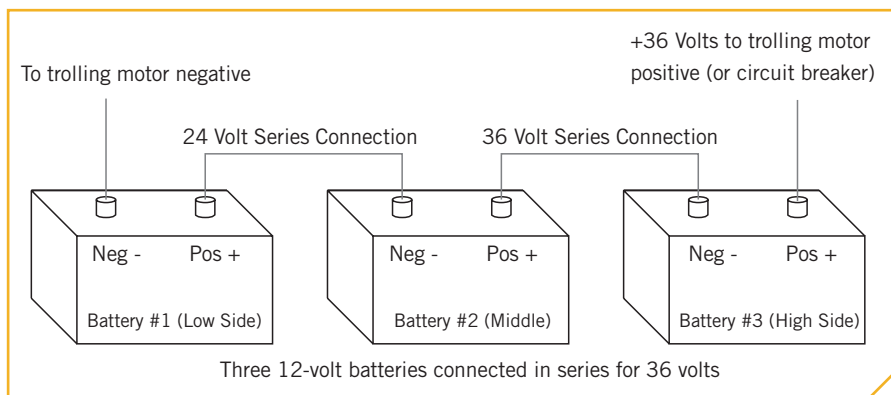
- For safety reasons, disconnect the motor from the battery or batteries when the motor is not in use or while the battery/batteries are being charged.
- Improper wiring of 24/36 volt systems could cause battery explosion.
- Keep leadwire wing nut connections tight and solid to battery terminals.
- Locate battery in a ventilated compartment.

## CONNECTING THE BATTERIES IN SERIES

### 36 Volt Systems

Three 12 volt batteries are required. The batteries must be wired in series, only as directed in wiring diagram, to provide 36 volts.

1. Make sure that the motor is switched off (speed selector on "0").
2. Connect a connector cable to the positive (+) terminal of battery 1 and to the negative (-) terminal of battery 2 and another connector cable from the positive (+) terminal of battery 2 to the negative (-) terminal of battery 3.
3. Connect positive (+) red motor lead to positive (+) terminal on battery 3.
4. Connect negative (-) black motor lead to negative (-) terminal of battery 1.



### WARNING

For safety reasons do not switch the motor on until the propeller is in the water. If installing a leadwire plug, observe proper polarity and follow instructions in your boat owner's manual.

### WARNING

- For safety reasons, disconnect the motor from the battery or batteries when the motor is not in use or while the battery/batteries are being charged.
- Improper wiring of 24/36 volt systems could cause battery explosion.
- Keep leadwire wing nut connections tight and solid to battery terminals.
- Locate battery in a ventilated compartment.

This completes the installation of your Ulterra. A complete Owner's Manual can be downloaded at [minnkotamotors.com](http://minnkotamotors.com).

# RECOMMENDED ACCESSORIES

## › ON-BOARD & PORTABLE BATTERY CHARGERS

Stop buying new batteries and start taking care of the ones you've got. Many chargers can actually damage your battery over time – creating shorter run times and shorter overall life. Digitally controlled Minn Kota chargers are designed to provide the fastest charge that protect and extend battery life.



MK212PC



MK210D



MK110PD

## › TALON SHALLOW WATER ANCHOR

Introducing the all-new, sleek redesigned Talon. Talon is the only shallow water anchor with up to 15' of anchoring depth, multiple anchoring modes, and control from the bow, transom, console, remote or mobile device.



### BUILT-IN WORK LIGHT

Lets you tie lines and work from the transom any time of day — or night. Includes both white and blue LED lights with three brightness settings.



### UP TO 15' DEEP

Control more water and catch more fish with the first 15' shallow water anchor.



### MORE CONTROL OPTIONS

- Control Panel
- Wireless Remote
- Mobile App
- Wireless Foot Switch
- Humminbird® Connectivity
- i-Pilot® & i-Pilot Link™ Remote



### BLUETOOTH® CONNECTIVITY

Lets you control Talon from your mobile device and easily update it. Also opens up communication to other control options.

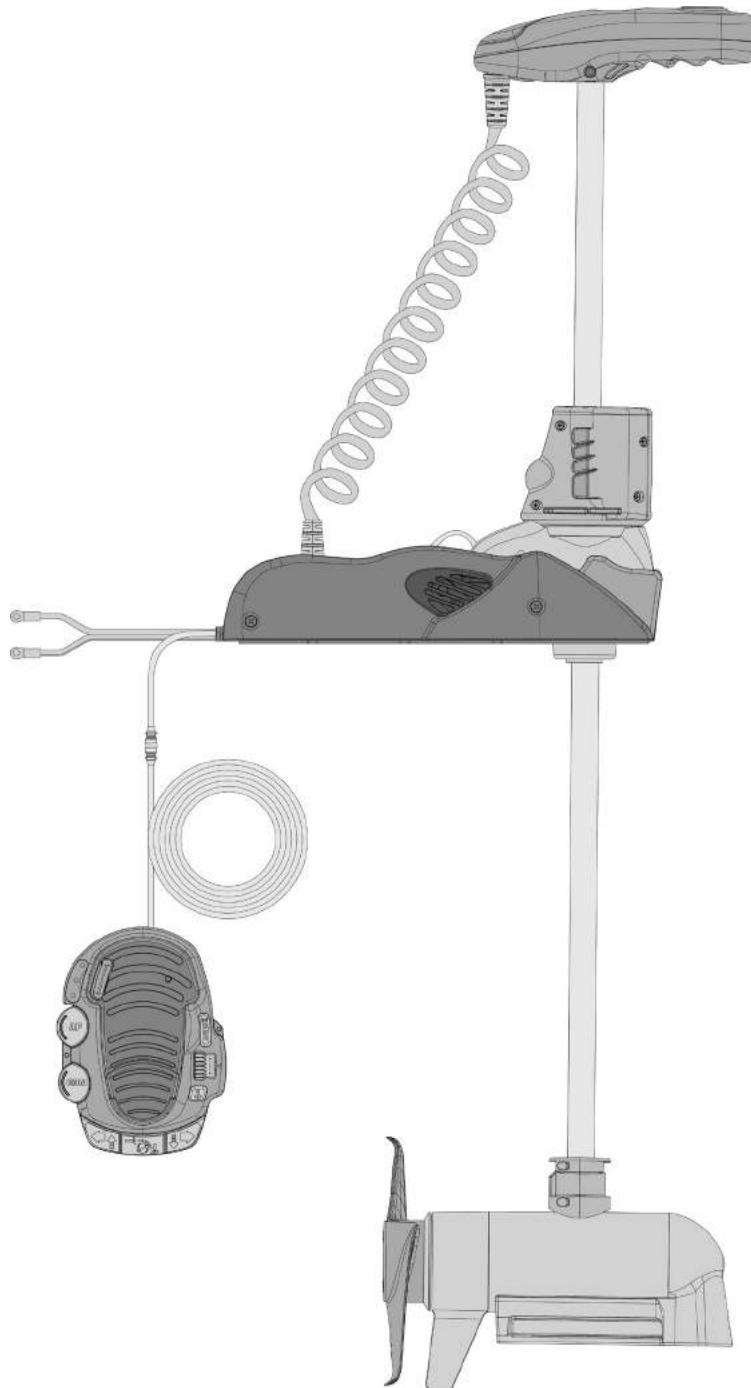
## › MINN KOTA ACCESSORIES

We offer a wide variety of trolling motor accessories, including:

- 60-Amp Circuit Breaker
- Mounting Brackets
- Stabilizer Kits
- Extension Handles
- Battery Connectors
- Battery Boxes
- Quick Connect Plugs







# ULTERRA<sup>™</sup>

**PROPULSEUR ÉLECTRIQUE MONTÉ SUR L'ÉTRAVE**

**Instructions d'Installation**

# INTRODUCTION

## MERCI

Nous vous remercions d'avoir choisi Minn Kota. Nous sommes persuadés que vous devriez consacrer plus de temps à pêcher et moins de temps à amarrer votre embarcation. C'est pourquoi nous construisons les propulseurs électriques les plus intelligents, les plus solides et les plus faciles à utiliser. Chaque aspect d'un propulseur électrique Minn Kota est réfléchi et étudié jusqu'à ce qu'il soit digne de porter notre nom. Nous avons investi des heures incalculables de recherche et d'essais pour vous offrir les avantages caractéristiques de Minn Kota, qui vous mène vraiment n'importe où, et n'importe quand. Notre principe est simple, nous faisons les choses selon les règles. Nous sommes Minn Kota. Et nous ne cesserons jamais de vous aider à pêcher plus de poissons.

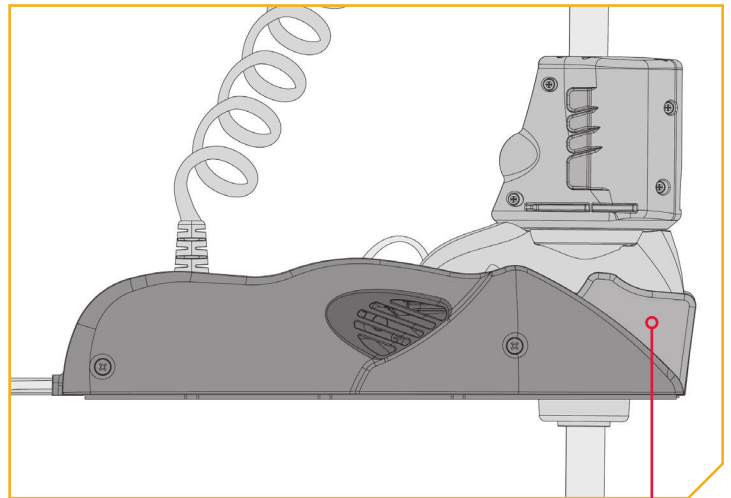
## ENREGISTREMENT

N'oubliez pas de conserver votre reçu et d'enregistrer immédiatement votre propulseur électrique. Une fiche d'enregistrement est fournie avec votre moteur; vous pouvez également effectuer l'enregistrement sur notre site Web à [minnkotamotors.com](http://minnkotamotors.com).

## NUMÉRO DE SÉRIE

Le numéro de série à 11 caractères Minn Kota est très important. Cela permet de déterminer le modèle spécifique et l'année de fabrication. Lorsque vous contactez le Service à la clientèle ou que vous enregistrez votre article, vous aurez besoin du numéro de série de votre article. Nous vous suggérons de noter le numéro de série afin qu'il soit disponible à des fins de référence future.

**AVIS :** Le numéro de série de votre Ultrerra se trouve à l'intérieur du support de montage, sous le point d'appui du moteur.



## INFORMATIONS MOTOR (À des fins de référence par le client seulement)

Modèle: \_\_\_\_\_

Numéro de Série: \_\_\_\_\_

Date de l'achat: \_\_\_\_\_

Magasin où l'achat a été effectué: \_\_\_\_\_

**AVIS :** Ne retournez pas votre moteur Minn Kota au détaillant. Le détaillant n'est pas autorisé à réparer ou à remplacer cet appareil. Pour le service : communiquer avec Minn Kota au (800) 227-6433; retourner le moteur au Centre de service de l'usine de Minn Kota; envoyer ou apporter le moteur à un centre de service agréé de Minn Kota. Une liste de centres de service agréés est disponible sur notre site Web, à [minnkotamotors.com](http://minnkotamotors.com). Pour obtenir un service au titre de la garantie, y compris toutes les options susmentionnées, veuillez inclure la preuve d'achat, le numéro de série et la date de l'achat.

# CONSIGNES DE SÉCURITÉ

Veillez lire attentivement le manuel de l'utilisateur. Suivez toutes les instructions, et respectez toutes les consignes de sécurité et mises en garde. L'utilisation de ce moteur n'est autorisée que pour les personnes qui ont lu et compris ces consignes pour l'utilisateur. Les personnes mineures peuvent utiliser ce moteur uniquement sous la supervision d'un adulte.

## AVERTISSEMENT

Vous seul êtes responsable de la navigation sécuritaire et prudente sur votre bateau. Nous avons conçu votre Minn Kota pour qu'il soit un outil précis et fiable qui vous permettra d'améliorer l'utilisation de votre bateau et d'accroître votre capacité de pêcher des poissons. Ce produit ne vous exonère pas de la responsabilité de naviguer en toute sécurité avec votre bateau. Vous devez éviter les dangers liés à la navigation et toujours exercer une veille permanente afin de pouvoir réagir au fur et à mesure que les situations se présentent. Vous devez toujours être prêt à reprendre le contrôle manuel de votre bateau. Apprenez à utiliser votre Minn Kota dans une zone exempte de dangers et d'obstacles.

## AVERTISSEMENT

Ne faites jamais fonctionner le moteur hors de l'eau, puisque cela entraînerait des blessures causées par l'hélice en rotation. Le moteur doit être débranché de la source d'alimentation lorsqu'il n'est pas utilisé ou lorsqu'il est hors de l'eau. Au moment de brancher les câbles d'alimentation du moteur à la batterie, veiller à ce qu'ils ne soient pas entortillés ou exposés au frottement, puis les placer de telle manière que personne ne risque de trébucher. Avant d'utiliser le moteur, s'assurer que l'isolant des câbles d'alimentation n'est pas endommagé. Ne pas tenir compte de ces mesures de sécurité peut entraîner des courts-circuits avec les batteries et/ou le moteur. Toujours débrancher le moteur des batteries avant le nettoyage ou la vérification de l'hélice. Éviter de submerger complètement le moteur, car l'eau pourrait pénétrer dans l'appareil inférieur par la tête de contrôle et l'arbre. Si le moteur est utilisé alors que de l'eau est présente dans l'appareil inférieur, ce dernier pourrait subir des dommages considérables. Ces dommages ne seront pas couverts par la garantie.

## AVERTISSEMENT

Veillez à ce que ni vous, ni les autres personnes ne s'approchent trop près de l'hélice en rotation, que ce soit seulement avec une partie du corps ou des objets. Le moteur est puissant et pourrait provoquer des situations périlleuses ou des blessures, pour vous ou les autres. Lorsque le moteur est en marche, se méfier des objets flottants ou des personnes qui pourraient être en train de nager. Les personnes, dont les réactions ou la capacité à faire fonctionner le moteur est/sont affaiblie (s) par l'alcool, la drogue, les médicaments ou d'autres substances, ne sont pas autorisées à utiliser ce moteur. Ce moteur n'est pas adapté à l'utilisation dans de forts courants. Le niveau de pression sonore constant du moteur au moment de l'utilisation est inférieur à 70 dB (A). Le niveau de vibration général ne dépasse pas 2,5 m/s<sup>2</sup>.

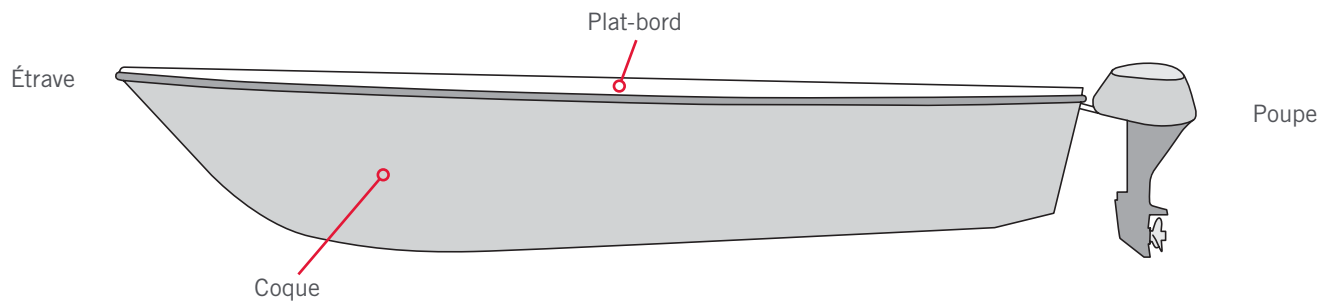
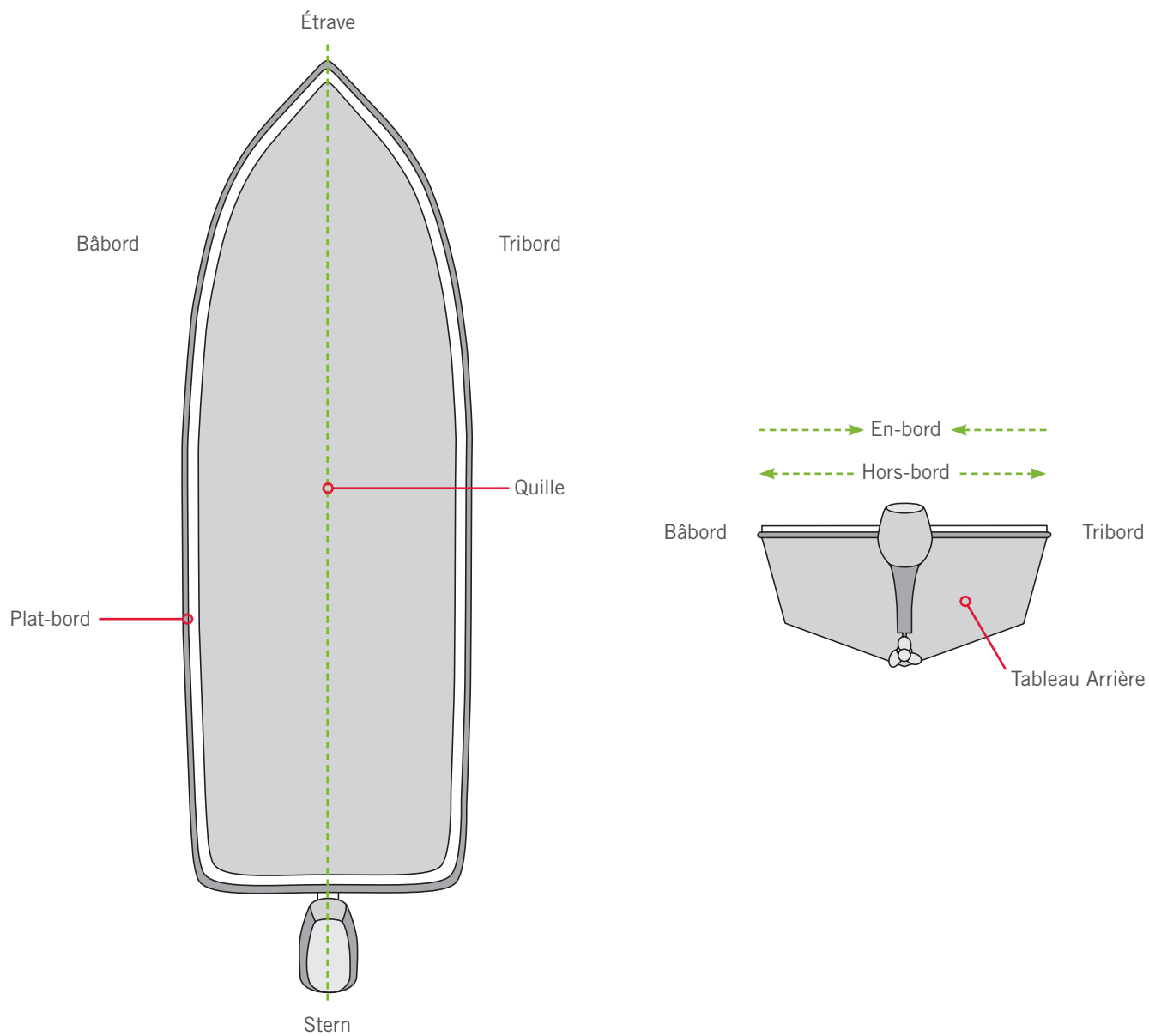
## AVERTISSEMENT

Lorsque vous remontez ou abaissez le moteur, gardez vos doigts loin de toutes charnières et tous points de pivot ainsi que de toutes pièces mobiles. En cas d'opération imprévue, retirez les câbles d'alimentation à la batterie.

## AVERTISSEMENT

Il est recommandé d'utiliser exclusivement les accessoires approuvés par Johnson Outdoors avec votre moteur Minn Kota. L'utilisation d'accessoires non approuvés, y compris pour monter ou contrôler votre moteur, pourrait causer des dommages, un fonctionnement inattendu du moteur et des blessures. Veillez à utiliser le produit ainsi que les accessoires approuvés, y compris les télécommandes, en toute sécurité et de la manière indiquée pour éviter les accidents ou un fonctionnement inattendu du moteur. Ne retirez pas les pièces installées en usine, y compris les couvercles, boîtiers et protections du moteur et des accessoires.

# CONNAISSEZ VOTRE BATEAU



# INSTALLATION

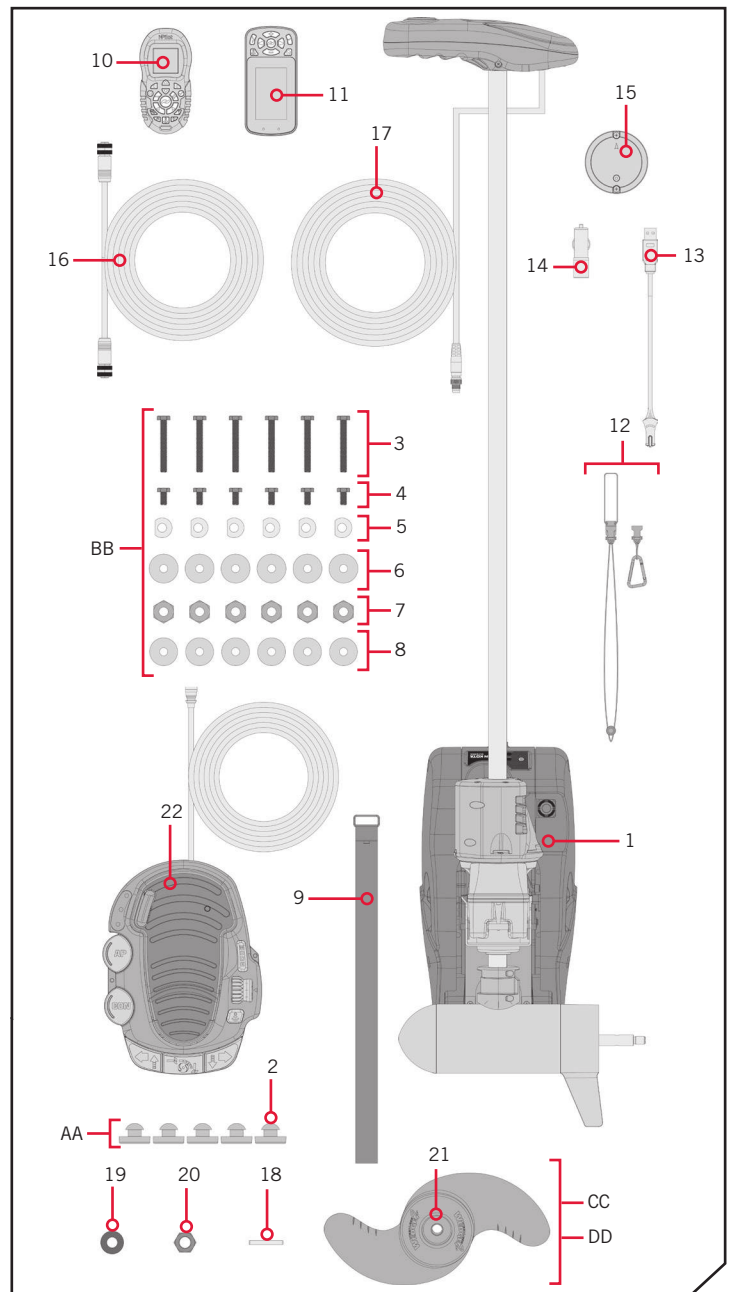
## INSTALLATION DE L'ULTERRA

Votre nouveau Ulterra est offert avec tout ce dont vous aurez besoin pour le montage au bateau. Ce moteur peut être fixé directement sur le bateau ou couplé avec un support à dégagement rapide Minn Kota pour un montage et un démontage simples. Pour l'installation avec un support à dégagement rapide, consultez les directives d'installation fournies avec le support. Pour obtenir des supports de montage à dégagement rapide, veuillez visiter [minnkotamotors.com](http://minnkotamotors.com). Pour installer le moteur directement sur le bateau, veuillez suivre les directives fournies avec ce manuel. Avant de commencer, veuillez examiner la liste des pièces et des outils nécessaires à l'installation. Pour obtenir davantage de soutien pour les produits et trouver le revendeur le plus près, veuillez visiter [minnkotamotors.com](http://minnkotamotors.com).

### LISTE DE PIÈCES D'INSTALLATION

Article/Assemblage	N° de Pièce	Description	Qté.
1	*	MOTOR ASSEMBLY	1
AA	2994859	BAG ASY-TERROVA/V2,RUB.BUMPERS	1
2	2325110	PAD, FOOTPEDAL	5
BB	2994917	BAG ASSY, ULTERRA MTG HARDWARE	1
3	2203430	SCREW-1/4-20 X 2.0 HHCS SS	6
4	2203431	SCREW-1/4-20 X 0.5 HHCS SS	6
5	2201725	WASHER-CLIPPED, 1/4", 1.00" OD	6
6	2261713	WASHER-1/4 FLAT 18-8 SS	6
7	2263103	NUT-1/4-20 NYLOCK SS	6
8	2301720	WASHER-MOUNTING - RUBBER	6
9	2203801	STRAP, HOLD DOWN	1
10	2994075 ♦	REMOTE ASSEMBLY, iPILOT	1
11	2994076 ●	REMOTE ASSEMBLY LINK TOUCHSCREEN	1
▲	2397106 ♦	MANUAL, QUICK REF., iPILOT 1.6	1
▲	2397107 ●	MANUAL-QUICK REF., iPILOT 3.0	1
12	2390800 ♦●	LANYARD, REMOTE W/ CARABINER	1
13	2373241 ●	CABLE, USB REMOTE CHARGER LINK	1
14	2375901 ●	ADAPTER, USB DC POWER LINK	1
15	2996400 ♦●	HEADING SENSOR ASSEMBLY	1
16	490389-1 ●	CABLE, ETH (M12-M-M12-F, 30')	1
17	2211415 +	CABLE-EXTENSION, PD/AP 110" *PRE-INSTALLED*	1
	490507-1 →	CABLE, ADP-INT MDI 14 M12-120" *PRE-INSTALLED*	1
	490516-3 *	CABLE, ADP-INT MSI 14 M12-156" *PRE-INSTALLED*	1
CC	1378132	80# THRUST PROP KIT	1
DD	1378160	112# THRUST PROP KIT	1
18	2262658	PIN-DRIVE 1" X 3/16" S/S	1
19	2091701	WASHER-PROP (LARGE) MAX101	1
20	2093101	NUT-PROP,NYLOC,LG,MX101 3/8 SS	1
21	2331160	PROP-WW2 (4") w/ADP.RING	1
	2341160	PROP-WW2 (4.5) w/ADP.RING	1
▲	2207113	MANUAL, INSTALL GUIDE, ULTERRA	1
22	2994741	FOOT PEDAL ASSY, ULTERRA	1

- ▲ Non affiché sur le schéma des pièces.
- \* Cette pièce est incluse dans un ensemble et ne peut pas être commandée individuellement.
- ♦ Uniquement disponible avec les modèles possédant un système i-Pilot installé en usine.
- Uniquement disponible avec les modèles possédant un système i-Pilot Link installé en usine.
- + Uniquement disponible avec les modèles possédant un Universal Sonar installé en usine.
- Uniquement disponible avec les modèles possédant MEGA Down Imaging intégré installé en usine.
- \* Uniquement disponible avec les modèles équipés du Side Imaging (vue latérale du bateau) MEGA intégré installé en usine.





# INSTALLATION DE L'ULTERRA

## FACTEURS DE MONTAGE

Il est recommandé de monter le moteur aussi près que possible de l'axe du bateau. Vérifiez que la zone sous l'emplacement pour percer des trous et installer des rondelles et des écrous est dégagée. Assurez-vous que le support du moteur est positionné assez loin du bord du bateau. Le moteur ne doit rencontrer aucune obstruction lorsqu'il est dans l'eau ou relevé. Envisagez l'installation d'un support à dégagement rapide ou un adaptateur. Pour la liste complète des accessoires, veuillez visiter [minnkotamotors.com](http://minnkotamotors.com).



Découvrez les accessoires disponibles pour votre moteur de pêche à la traîne sur [minnkotamotors.com](http://minnkotamotors.com).

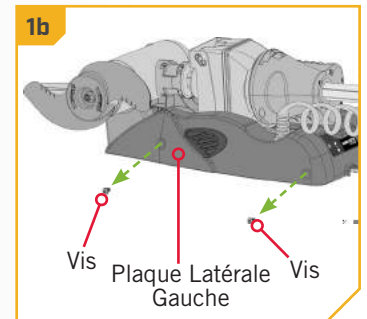
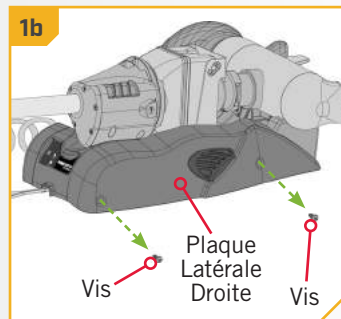
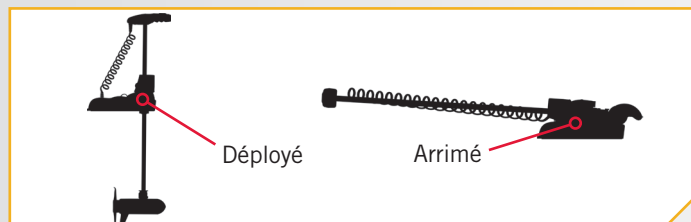
## OUTILS ET RESSOURCES NÉCESSAIRES

- Tournevis Phillips n° 2
- Tournevis Phillips n° 3
- Perceuse
- Mèche de 9/32 po (7,14 mm)
- Une personne pour vous aider avec l'installation

## INSTALLATION

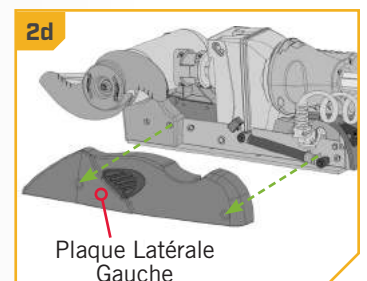
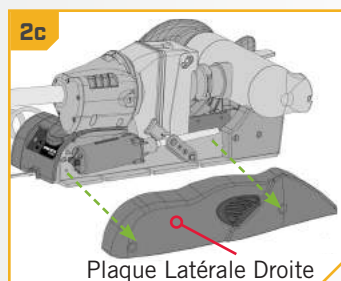
### INSTALLATION DE L'ULTERRA

- Placez le moteur sur une surface élevée, de niveau, comme un établi ou le hayon d'une camionnette. Le moteur, lorsque retiré de la boîte, devrait être en position arrimée.
  - Retirez les quatre vis de la plaque latérale en utilisant un tournevis cruciforme n° 3 ou n° 2. Deux de ces vis seront situées de chaque côté du support du moteur.



**AVIS :** Ce moteur pèse environ 70 lb (32 kg). Pour l'installation, nous recommandons de vous faire aider par une deuxième personne.

- Retirez la plaque latérale droite pour accéder aux trous de montage.
  - Retirez la plaque latérale gauche pour accéder aux trous de montage.

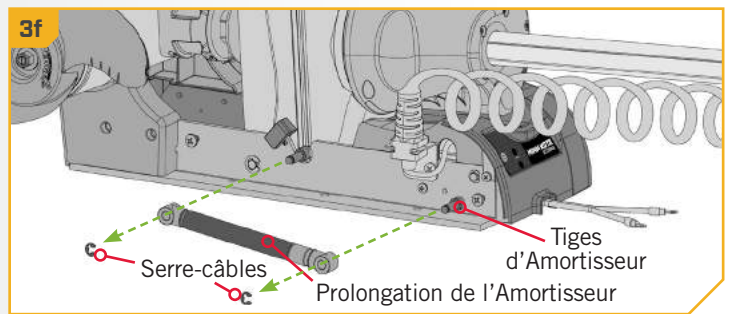
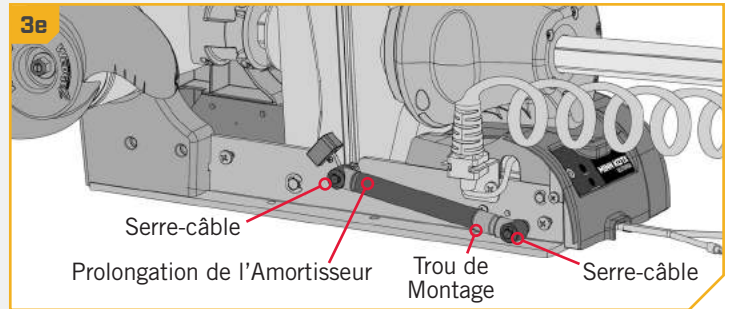


**3**

- e. Sous la plaque latérale gauche, la prolongation de l'amortisseur bloque l'accès au trou de montage avant gauche.
- f. À l'aide d'un petit tournevis, retirez les deux serre-câbles de 5/16 po (8 mm) qui tiennent la prolongation de l'amortisseur en place. Lorsque les Serre-câbles sont retirés, faites glisser la prolongation de l'amortisseur du support pour exposer le trou de montage arrière gauche. Déposez les deux Serre-câbles et la prolongation de l'amortisseur dans un endroit sûr afin de ne pas les perdre avant d'être rassemblés plus tard dans l'installation.

## **⚠ AVERTISSEMENT**

Ne déployez pas le moteur tant que l'installation n'est pas terminée sur le bateau. Les illustrations sont à titre de référence seulement. Le déploiement de votre moteur avant l'installation au bateau pourrait entraîner des blessures.

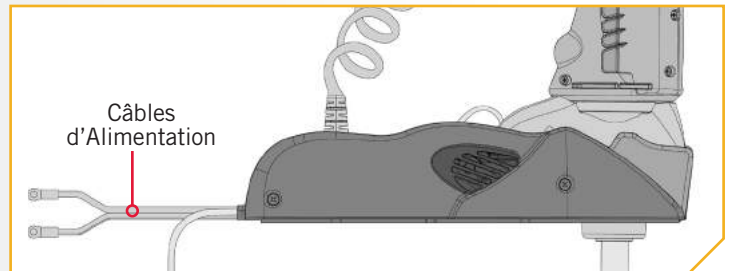


**4**

- g. Assurez-vous que les câbles d'alimentation de la batterie sont déconnectés, ou que le disjoncteur, le cas échéant, est en position "arrêt".

## **⚠ AVERTISSEMENT**

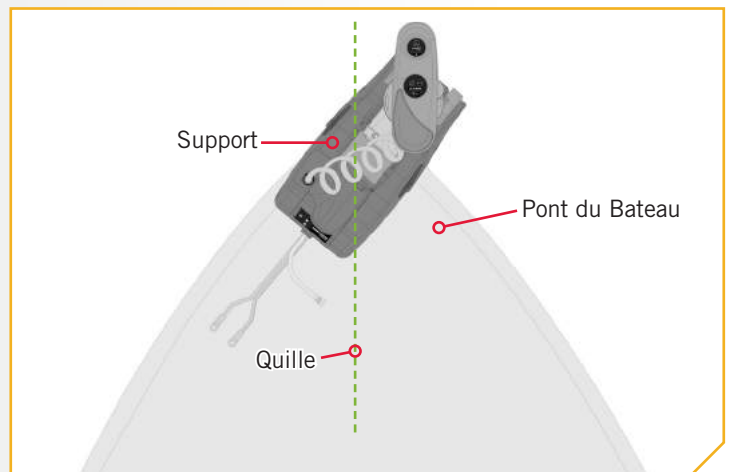
Assurez-vous que le moteur est installé sur une surface plane et n'est pas branché à une source d'alimentation.



**5**

- h. Placez le moteur en position sur le pont du bateau. Placez le moteur aussi près que possible de l'axe ou de la quille du bateau. Le moteur peut être installé soit sur le côté bâbord ou tribord du bateau, selon la préférence personnelle. Relisez les facteurs de montage au début de la section d'installation.

**AVIS :** la sangle d'urgence (article n° 9) est utilisée pour arrimer manuellement le moteur Ulterra. La sangle d'urgence n'est pas fixée pendant l'installation. Rangez-la sur votre bateau au cas où vous en auriez besoin pour arrimer manuellement le moteur. Pour apprendre comment, veuillez consulter la section « Arrimage manuel du moteur Ulterra »



# INSTALLATION DE L'ULTERRA

6

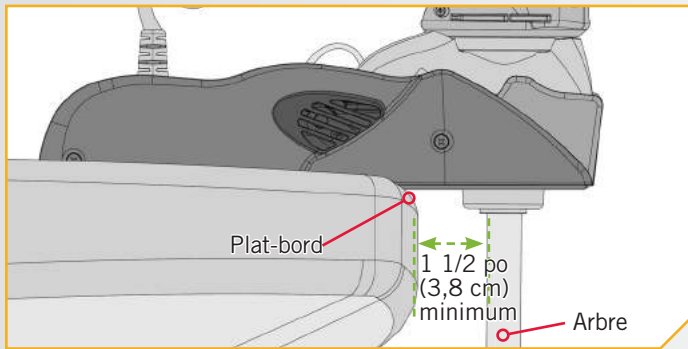
## ARTICLE(S) REQUIS

 #8 x 6

### AVERTISSEMENT

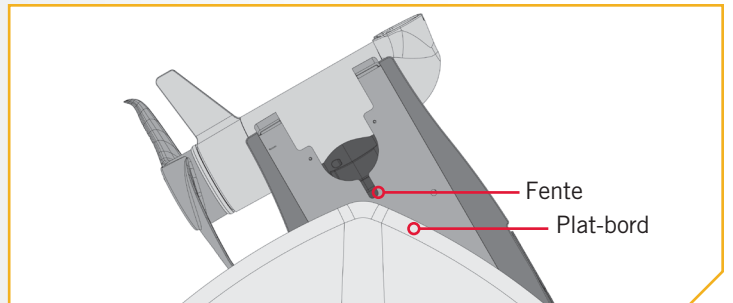
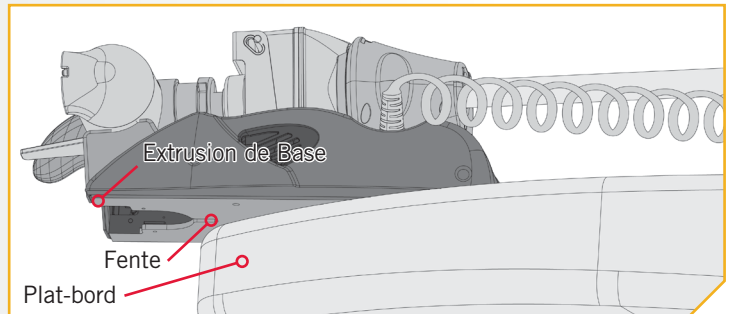
Ne déployez pas le moteur tant que l'installation n'est pas terminée sur le bateau. Les illustrations sont à titre de référence seulement. Le déploiement de votre moteur avant l'installation au bateau pourrait entraîner des blessures.

- i. Assurez-vous que la fente sous l'extrusion de base est alignée à la partie extérieure du plat-bord du bateau. Cela assurera que l'arbre a un dégagement minimum de 1 1/2 po (3,8 cm) lorsqu'il est déployé. L'appareil inférieur, lorsqu'il est arrimé et déployé, ne doit pas rencontrer d'obstacles.
- j. Assurez-vous que le support est de niveau. Au besoin, utilisez les rondelles de caoutchouc (article n° 8) pour créer une surface au niveau.



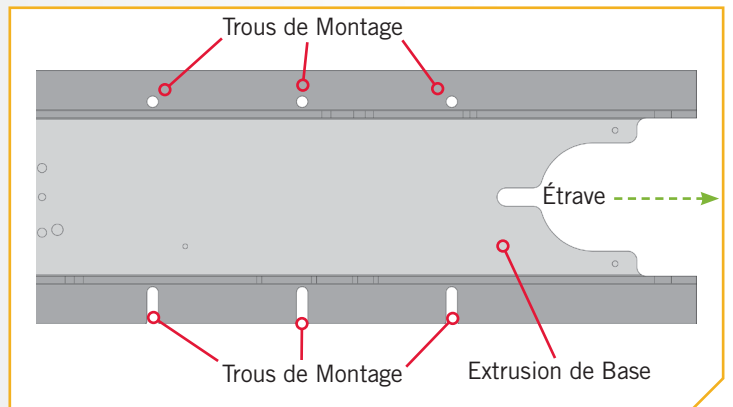
### CAUTION

Ne pas laisser un espace libre de 1-1 / 2 po de l'arbre lors du montage peut provoquer des défaillances lors de l'arrimage et du déploiement du moteur. Respectez les consignes de montage recommandées pour éviter toute obstruction lors de l'utilisation du moteur.



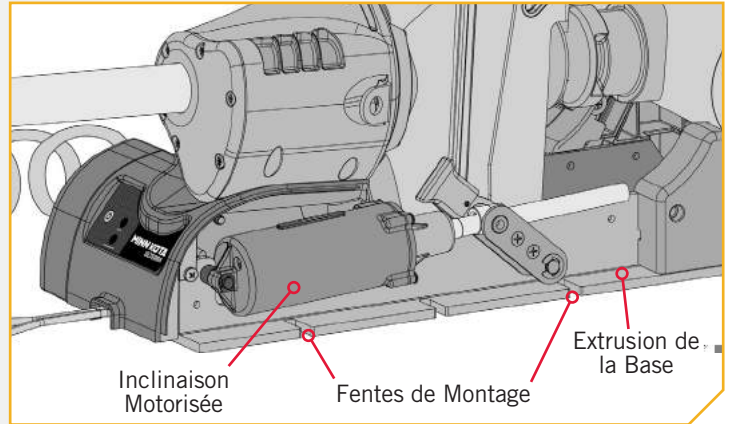
7

- k. Il est recommandé de marquer au moins 4 des 6 trous dans l'extrusion de base et d'avoir au moins deux boulons de chaque côté qui sont le plus éloignés l'un de l'autre. Une installation idéale serait d'utiliser 6 boulons avec un minimum de 4.
- l. Assurez-vous que la zone sous l'emplacement pour percer des trous et installer des rondelles et des écrous est dégagée. Percez les trous aux endroits marqués à l'aide d'une mèche de 9/32 po (7,14 mm).



8

- m. Montez le moteur sur le bateau à l'aide des fixations fournies. Placez d'abord les fixations d'installation sur le côté du support où se trouve le mécanisme d'inclinaison motorisé. Il s'agit du côté opposé de l'extrusion de base, où la prolongation de l'amortisseur a été retirée. La base du moteur où se trouve le mécanisme d'inclinaison motorisé a des fentes de montage, et le côté où se trouve la prolongation de l'amortisseur a des trous de montage.



9

## ARTICLE(S) REQUIS



#6 x 3



#3 x 3



#5 x 3



#7 x 3

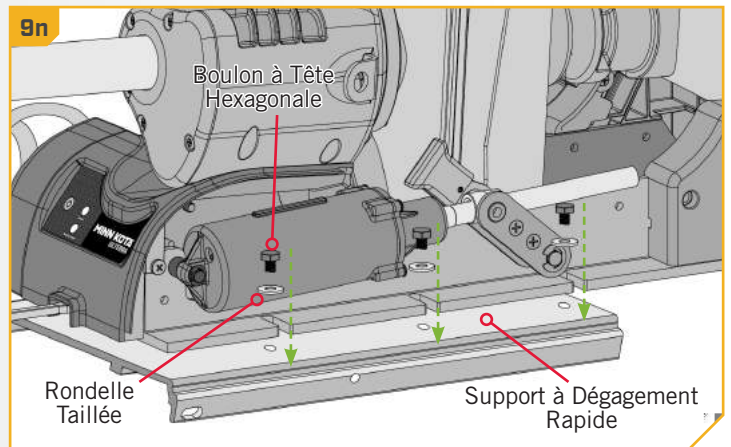


#4 x 3

**AVIS :** Pour prévenir le grippage de la quincaillerie en acier inoxydable, n'utilisez pas d'outils haute vitesse pour l'installation. Le fait de mouiller les vis ou d'appliquer un antigrippant peut aider à prévenir qu'elles grippent.

- n. Si vous installez à l'aide d'un support à dégagement rapide, installez le moteur avec les boulons à tête hexagonale (article n° 4) et les rondelles taillées (article n° 5). Orientez les rondelles taillées pour que le côté plat de la rondelle soit tourné vers l'extrusion de base. Le boulon devrait traverser la rondelle taillée et entrer dans le support à dégagement rapide. Laissez un espace d'au moins 1/4 po (6 mm) entre le boulon à tête hexagonale et la rondelle taillée, afin de glisser l'extrusion de base sous la rondelle taillée pour la placer.

**AVIS :** Les boulons longs, les rondelles plates et l'écrou Nylock ne sont pas utilisés lors de l'installation de l'Ulterra avec un support à dégagement rapide.



## ⚠ ATTENTION

Faites preuve de vigilance pour éviter de pincer ou d'endommager les fils de capteur qui longent l'extrusion de base lors de l'installation et du serrage des boulons de montage du moteur.

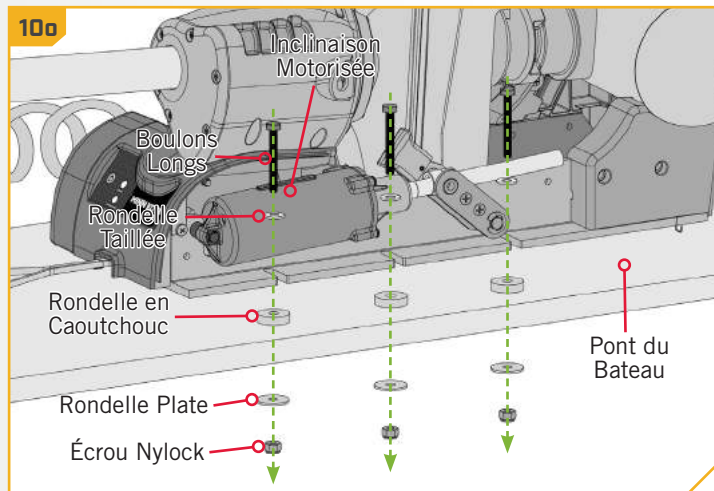


# INSTALLATION DE L'ULTERRA

10

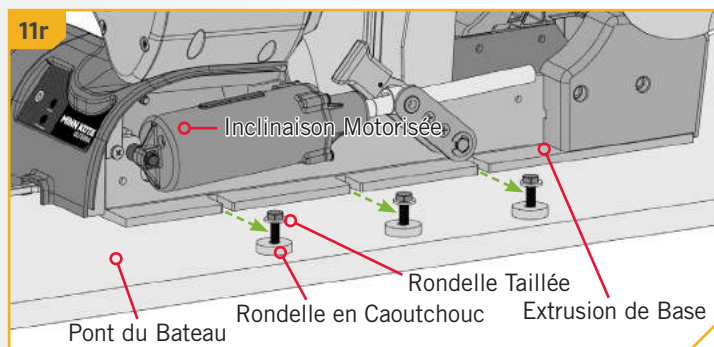
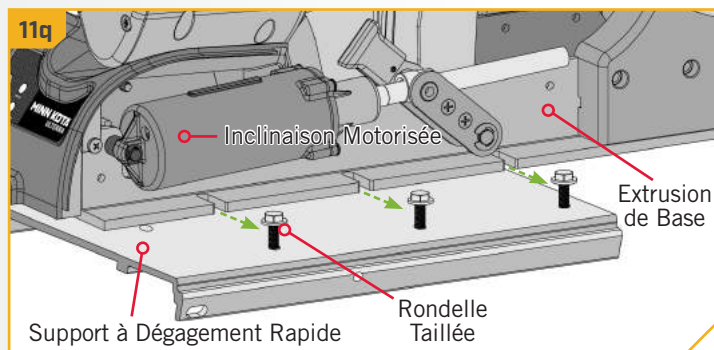
- o. Si l'installation est directement sur le pont du bateau, installez le moteur à l'aide des boulons longs (article n° 3), la rondelle taillée (article n° 5), la rondelle plate (article n° 6) et l'écrou Nylock (article n° 7). Orientez les rondelles taillées pour que le côté plat de la rondelle soit tourné vers l'extrusion de base. Le boulon devrait traverser la rondelle taillée, la rondelle en caoutchouc, ensuite le pont du bateau. Le boulon devrait d'abord être fixé en ajoutant la rondelle plate (article n° 6) au boulon et le fixant avec un écrou Nylock (article n° 7). Laissez un espace d'au moins 1/4 po (6 mm) entre le boulon à tête hexagonale, la rondelle taillée et le pont du bateau. Cela laissera suffisamment d'espace pour glisser l'extrusion de base entre la rondelle taillée et la rondelle en caoutchouc pour la placer.

**AVIS :** Les boulons courts ne sont pas utilisés lors de l'installation de l'Ulterra directement au bateau.



11

- p. Faites glisser en place l'extrusion de base sous les boulons que vous venez d'installer.
- q. Si vous installez à l'aide d'un support à dégagement rapide, l'extrusion de base devrait glisser entre le support à dégagement rapide et les rondelles taillées. Tenez les rondelles taillées sur le boulon à tête hexagonale afin que la rondelle taillée soit placée sur l'extrusion de base.
- r. Si l'installation est directement sur le pont du bateau, l'extrusion de base devrait glisser entre la rondelle taillée et la rondelle en caoutchouc. Tenez les rondelles taillées sur le boulon long afin que la rondelle taillée soit placée sur l'extrusion de base.





## 12

### ARTICLE(S) REQUIS



#6 x 3



#3 x 3



#5 x 3



#7 x 3



#4 x 3

**AVIS :** Pour prévenir le grippage de la quincaillerie en acier inoxydable, n'utilisez pas d'outils haute vitesse pour l'installation. Le fait de mouiller les vis ou d'appliquer un antigrippant peut aider à prévenir qu'elles grippent.

- s. Placez la quincaillerie dans les trous de montage sur le côté du support où se trouve l'amortisseur pour fixer l'extrusion de base.
- t. **Si vous installez à l'aide d'un support à dégagement rapide**, installez le moteur avec les boulons à tête hexagonale (article n° 4) et les rondelles taillées (article n° 5). Orientez les rondelles taillées pour que le côté plat de la rondelle soit tourné vers l'extrusion de base. Le boulon devrait traverser la rondelle taillée et l'extrusion de base et entrer dans le support à dégagement rapide.

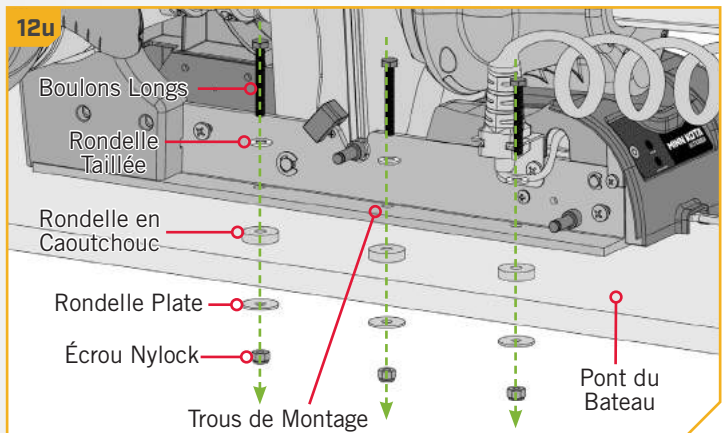
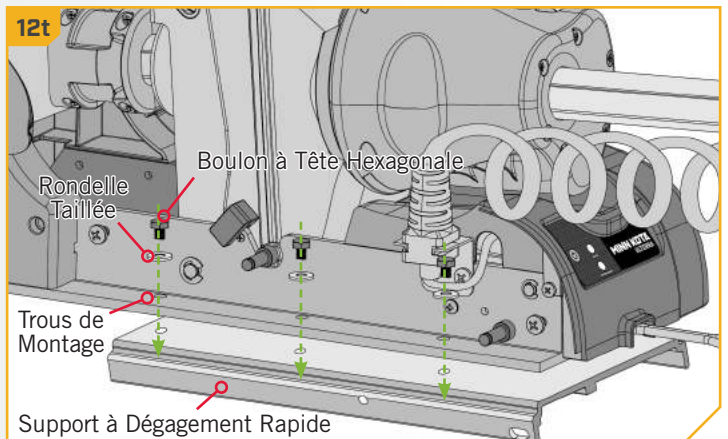
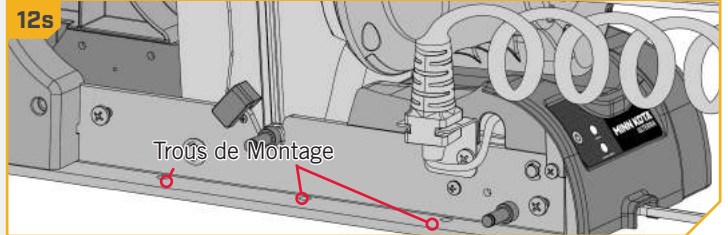
**AVIS :** Les boulons longs, les rondelles plates et l'écrou Nylock ne sont pas utilisés lors de l'installation de l'Ulterra avec un support à dégagement rapide.

- u. **Si l'installation est directement sur le pont du bateau**, installez le moteur à l'aide des boulons longs (article n° 3), la rondelle taillée (article n° 5), la rondelle plate (article n° 6) et l'écrou Nylock (article n° 7). Orientez les rondelles taillées pour que le côté plat de la rondelle soit tourné vers l'extrusion de base. Le boulon devrait traverser la rondelle taillée, l'extrusion de base, la rondelle en caoutchouc et ensuite le pont du bateau. Le boulon devrait d'abord être fixé en ajoutant la rondelle plate (article n° 6) et en le fixant ensuite avec un écrou Nylock (article n° 7).

**AVIS :** Les boulons courts ne sont pas utilisés lors de l'installation de l'Ulterra directement au bateau.

## ⚠ ATTENTION

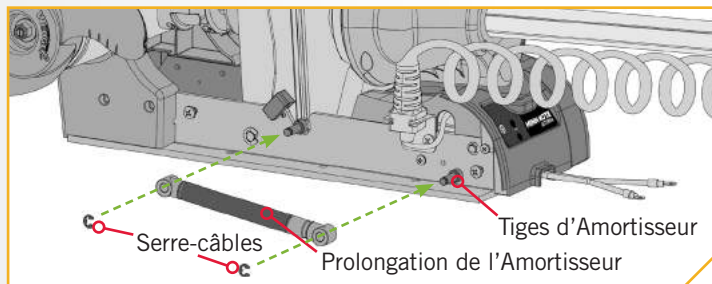
Faites preuve de vigilance pour éviter de pincer ou d'endommager les fils de capteur qui longent l'extrusion de base lors de l'installation et du serrage des boulons de montage du moteur.



# INSTALLATION DE L'ULTERRA

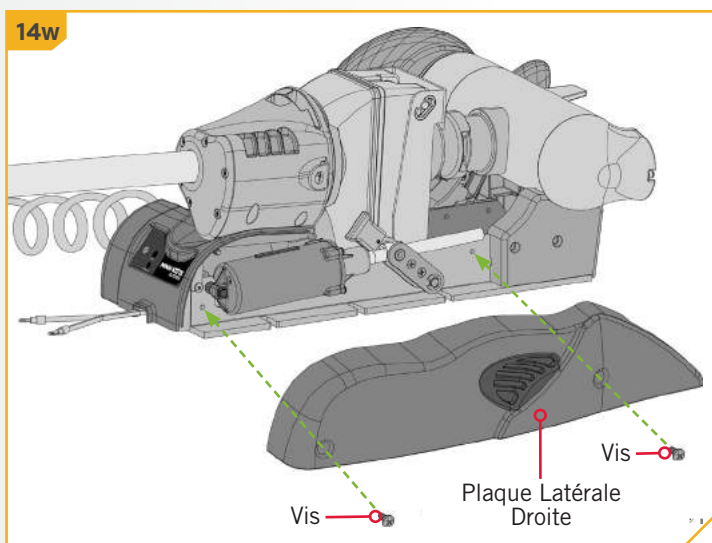
**13**

- v. À ce stade du processus d'installation, le moteur devrait être fixé au pont du bateau; le moteur peut maintenant être réassemblé. La prolongation de l'amortisseur peut être glissée à sa place sur les tiges d'amortisseur. Cela doit se faire de façon à ce que l'arbre de l'amortisseur pointe vers l'intérieur du bateau. Réinstallez les deux serre câbles de 5/16 (8 mm). Remplacez la plaque latérale droite.

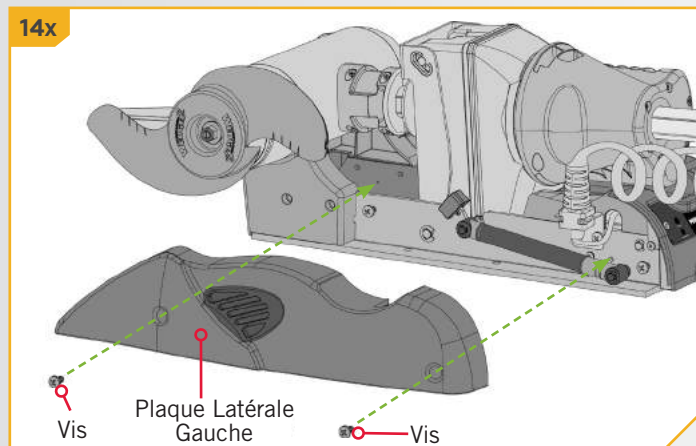


**14**

- w. Remplacez la plaque latérale droite.
- x. Remplacez la plaque latérale gauche.
- y. Remplacez les quatre vis de la plaque latérale en utilisant un tournevis cruciforme n° 2 ou n° 3.



**14x**



**15**

## ARTICLE(S) REQUIS

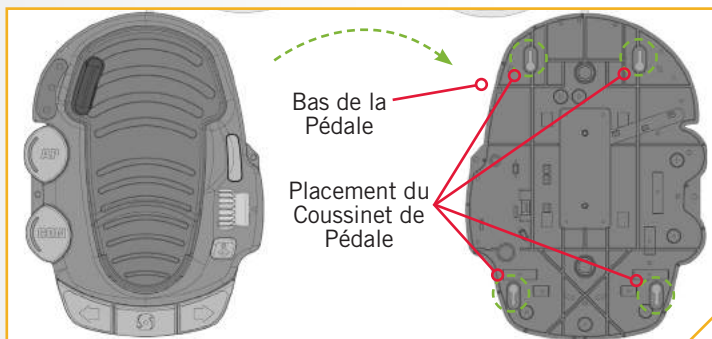
 #18 x 4



#EE x 1

- z. Prenez la pédale (article n° EE) et retournez-la. Placez un coussinet de pédale (article n° 18) dans chacun des emplacements de coussinet.

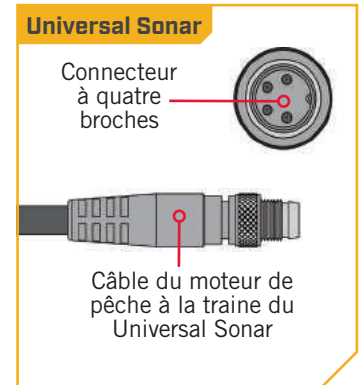
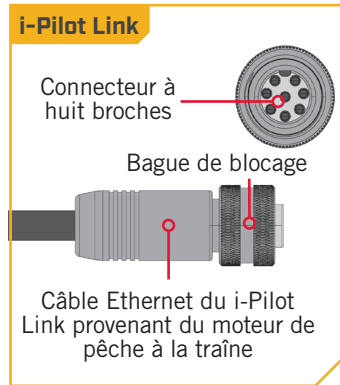
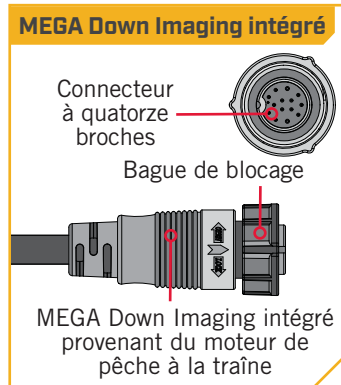
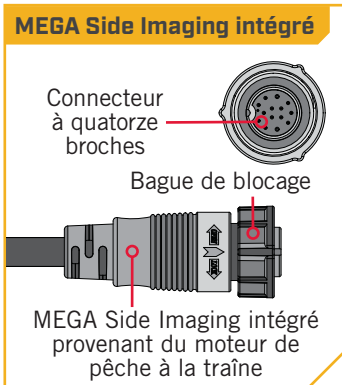
**AVIS:** Les coussinets sont recommandés lors de l'utilisation de la pédale sur des surfaces n'étant pas couvertes de tapis.



# IDENTIFICATION DES FONCTIONS DU MOTEUR DE PÊCHE À LA TRAÎNE ET DE LEURS CÂBLES CONNEXES

## IDENTIFICATION DES FONCTIONS DU MOTEUR DE PÊCHE À LA TRAÎNE ET DE LEURS CÂBLES CONNEXES

Le MEGA Side Imaging intégré, le MEGA Down Imaging intégré OU l'Universal Sonar peut être pré-installé sur votre moteur de pêche à la traîne et pourra comprendre l'i-Pilot Link. Toutes ces fonctionnalités exigent la connexion de câbles à un dispositif de sortie. Ces connexions se trouvent sur le moteur de pêche à la traîne et comportent des câbles sortant sous la tête de contrôle. Pour mieux identifier les câbles présents, consultez les diagrammes ci-dessous qui indiquent ce à quoi les connecteurs de câble MEGA Side Imaging intégré, Universal Sonar et i-Pilot Link ressemblent.



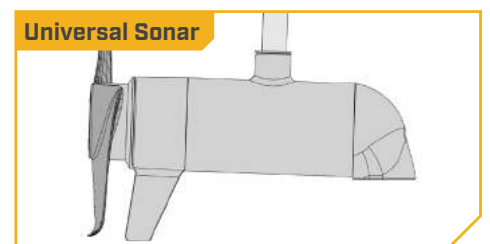
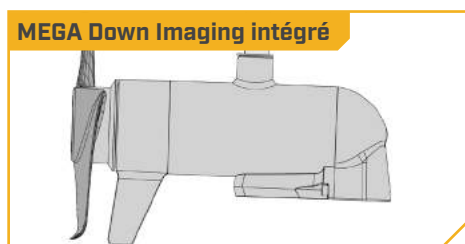
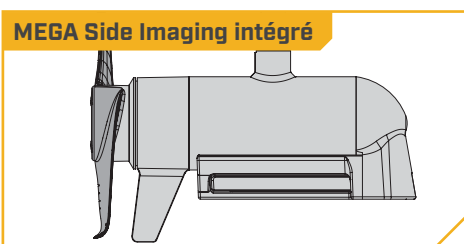
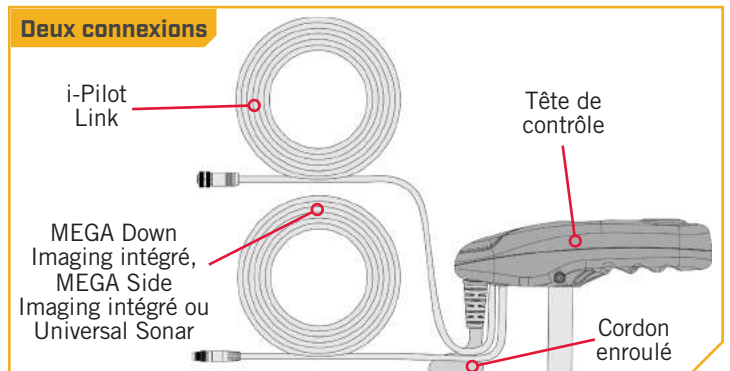
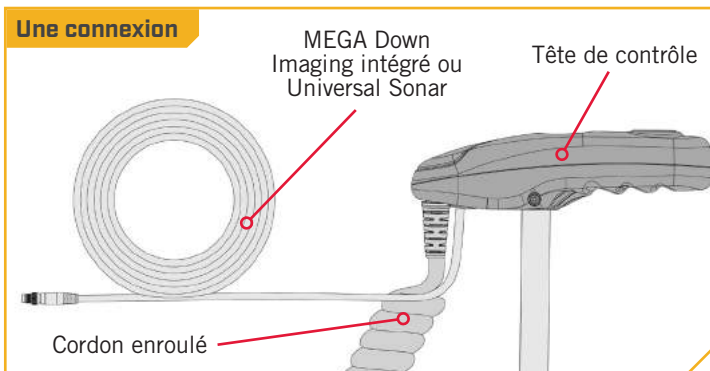
Si **une** connexion se trouve sous la tête de contrôle, le moteur peut être équipé de :

1. i-Pilot et Universal Sonar,
2. i-Pilot et MEGA Down Imaging intégré,
3. SEULEMENT Universal Sonar, ou
4. SEULEMENT MEGA Down Imaging intégré.

Si **deux** connexions se trouvent sous la tête de contrôle, le moteur peut être équipé de :

1. i-Pilot et Universal Sonar,
2. i-Pilot et MEGA Down Imaging intégré, ou
3. i-Pilot et MEGA Side Imaging intégré.

**AVIS :** Le système i-Pilot n'a pas de connexion externe câblée. Sur les modèles actuels, le MEGA Side Imaging intégré est installé avec i-Pilot Link. Pour vous aider à déterminer plus précisément votre type de moteur, les moteurs avec le MEGA Down Imaging intégré et le MEGA Side Imaging intégré disposeront d'une géométrie différente dans l'unité inférieure.



# ACHEMINEMENT DES CÂBLES DE CONNEXION

## ACHEMINEMENT DES CÂBLES DE CONNEXION

Veillez suivre ces instructions pour l'acheminement de tous les câbles présents pour toutes les fonctionnalités déjà installées qui pourraient être livrées avec votre moteur de pêche à la traîne. On doit respecter cet acheminement qu'il y ait un ou deux câbles de connexion présents. Si vous n'êtes pas certain de savoir quels câbles sont présents, veuillez consulter la section « Identification des fonctions du moteur de pêche à la traîne grâce aux câbles connexes » de ces instructions d'installation.

1

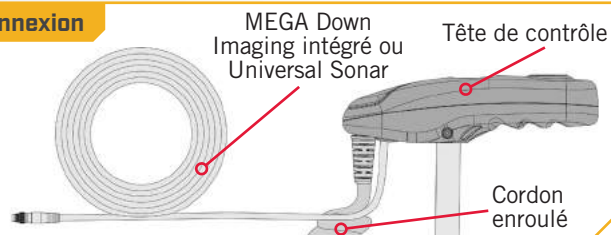
- Placez le moteur dans la position déployée.
- Trouvez la connexion des câbles du MEGA Down Imaging intégré, MEGA Side Imaging intégré, de l'i-Pilot Link ou de l'Universal Sonar, si équipé, à la base de la tête de contrôle.

### ATTENTION

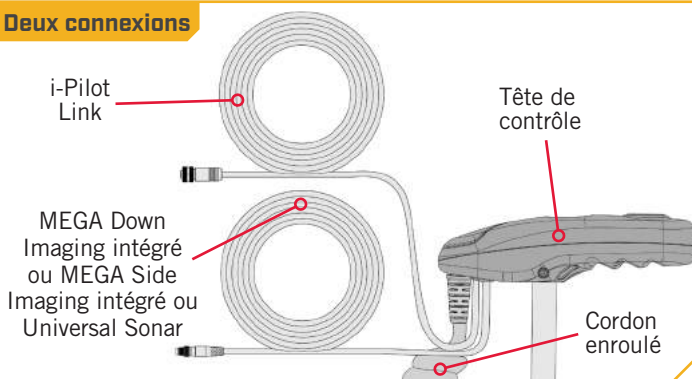
Ne pas respecter l'acheminement des fils recommandé pour les câbles du MEGA Down Imaging intégré, MEGA Side Imaging intégré, de l'Universal Sonar ou de l'i-Pilot Link, si équipé, peut causer des dommages au produit et annuler sa garantie. Acheminez les câbles en évitant les points de pincement et les autres zones qui pourraient faire en sorte que les câbles soient pliés à des angles aigus. Effectuer l'acheminement des câbles d'une tout autre façon que celle dictée peut entraîner des dommages aux câbles par un pincement ou sectionnement.

**AVIS :** connecteur de l'Universal Sonar présenté à des fins d'illustration.

#### Une connexion



#### Deux connexions

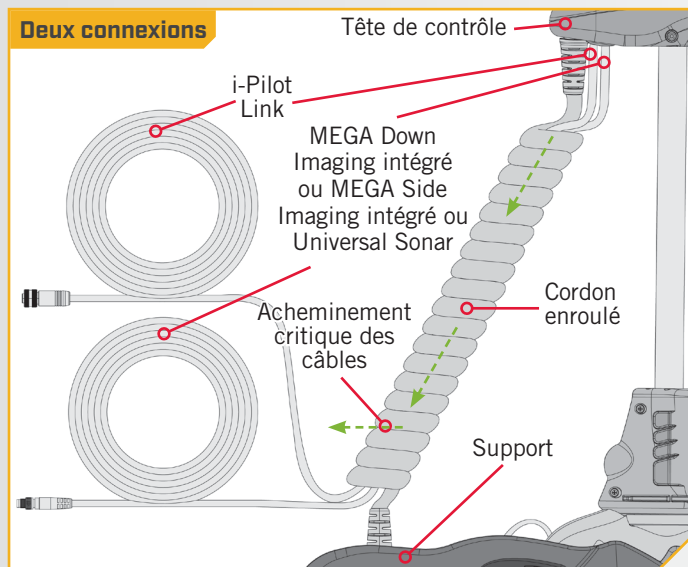




## APERÇU DES FONCTIONNALITÉS ET CONNEXION DES CÂBLES

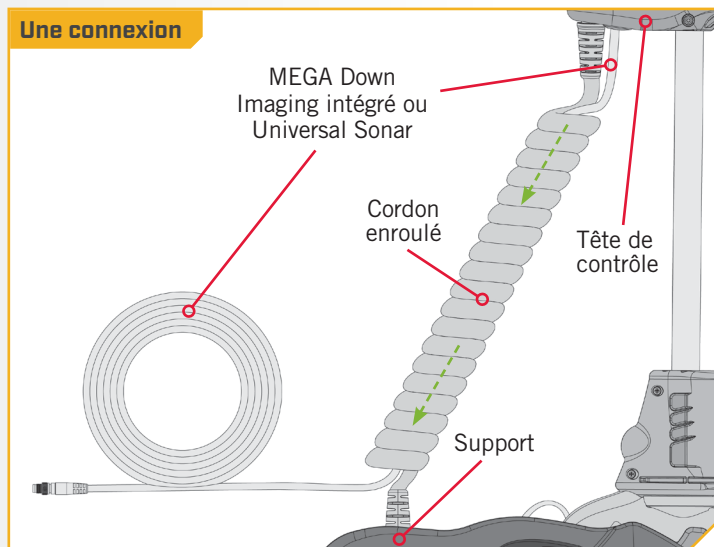
2

- c. Les câbles doivent être passés entièrement au travers du cordon enroulé. Ils doivent sortir du cordon enroulé au bas de ce dernier, où il se connecte au support.



**AVIS :** Acheminement critique des câbles pour les moteurs 72" et 60" avec i-Pilot Link et MEGA Imaging intégré. Les câbles accessoires doivent sortir du cordon enroulé en laissant au moins trois enroulements ouverts entre la sortie des câbles et la base du moteur, tel qu'assemblé par l'usine. En acheminant les câbles de toute autre manière, le moteur ne pourra pas être rangé correctement.

### Une connexion



**AVIS :** lorsque les câbles sont sortis du cordon enroulé, ils doivent être acheminés par un système d'acheminement établi sur le bateau, dans une zone avec peu d'interférences. Câbles d'alimentation ou autres éléments qui peuvent causer des interférences pour les signaux de sonar. Inspectez bien le chemin planifié pour vous assurer qu'il n'y a pas d'arêtes vives, d'obstacles ou d'obstructions qui pourraient endommager les câbles.

## APERÇU DES FONCTIONNALITÉS ET CONNEXION DES CÂBLES

Chaque câble sortant de la tête de contrôle pour chaque fonctionnalité installée sur le moteur de pêche à la traîne est connecté séparément à un dispositif de sortie. Lorsque vous avez identifié les fonctionnalités installées, suivez les instructions ci-dessous afin de vous assurer que les câbles sont correctement connectés.

### › MEGA Side Imaging intégré

La technologie MEGA Imaging a amené la détection de poissons au niveau des fréquences mégahertz pour la toute première fois. Désormais, MEGA Side Imaging+ intégré propose 3X les résultats de Side ImagingMD standard. Hummingbird a amélioré plus avant cette technologie en augmentant la plage de profondeur et en élargissant les zones de couverture latérales, tout en améliorant l'imagerie désormais claire comme du cristal. Built-In MEGA Side Imaging+ est disponible dans les gammes phare Minn Kota de moteurs de pêche à la traîne, parmi lesquelles Ultrex et Ulterra, avec 61 mètres (200 pieds) de couverture de chaque côté de votre bateau. Avec le sonar d'imagerie MEGA de Humminbird intégré directement au moteur de pêche à la traîne, vous profitez désormais d'une vue parfaitement claire de ce qui se trouve directement à gauche et à droite de votre bateau, sans avoir à gérer tous les câbles associés aux transducteurs externes. Le transducteur MEGA SI intégré est uniquement disponible avec les nouveaux modèles, en tant qu'équipement installé en usine : on ne peut pas l'ajouter à un moteur de pêche à la traîne existant.



# APERÇU DES FONCTIONNALITÉS ET CONNEXION DES CÂBLES

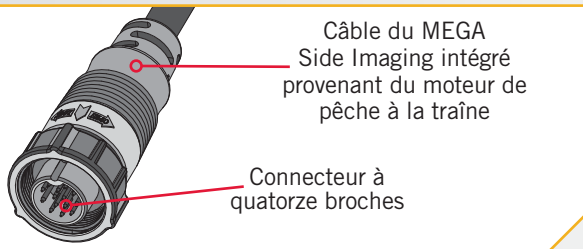
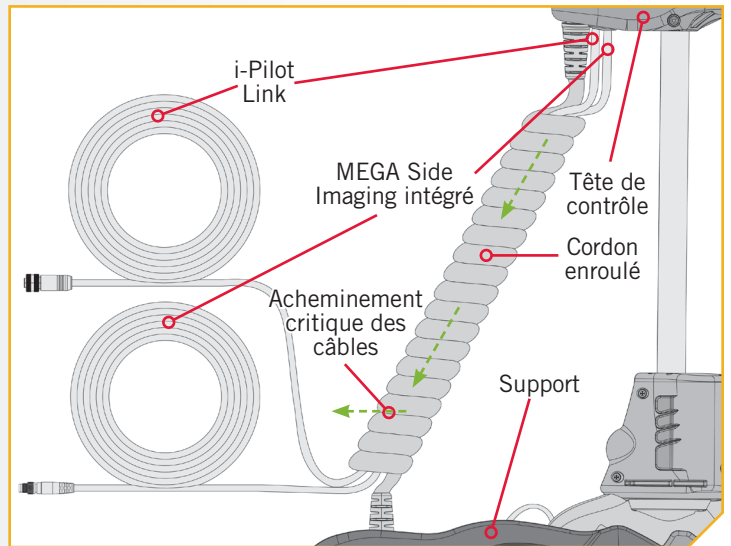
Le transducteur MEGA DI intégré procure le MEGA Side Imaging pour certains modèles Humminbird. Tous les moteurs de pêche à la traîne avec MEGA SI intégré sont livrés dans leur emballage « prêts pour Solix ». Un accessoire de câble adaptateur (MKR-MI-1 1852088) est offert à la vente et permet la connexion de tout détecteur de poissons Helix de Humminbird compatible. Le MKR-MI-1 s'utilise sur les modèles Helix 8, 9, 10 et 12. Consultez le tableau [Compatibilité de MEGA Side Imaging intégré](#) en ligne.

**AVIS :** Vous ne pouvez afficher le MEGA Side Imaging qu'avec un modèle de série MEGA DI ou MEGA SI HELIX G2N ou G3N et un adaptateur requis, ou tout modèle de série SOLIX. Le transducteur intégré ne peut pas assurer le MEGA Down Imaging pour les modèles Humminbird qui ne possèdent pas déjà la capacité. Si vous avez un G2/G2N ou un G3/G3N HELIX autre qu'un modèle MEGA SI ou MEGA DI, le transducteur vous offrira tout de même le sonar numérique 2D CHIRP double spectre. Les unités SOLIX G1, HELIX G2 et G2N doivent fonctionner sur la toute dernière mise à jour logicielle pour pouvoir afficher le sonar à partir des moteurs avec le MEGA Imaging intégré. Vous pouvez obtenir en ligne la toute dernière version du logiciel pour votre détecteur de poissons sur [humminbird.com](http://humminbird.com). Les modèles HELIX G1 ou les autres marques de détecteurs de poissons ne prennent pas en charge le MEGA SI intégré.

1

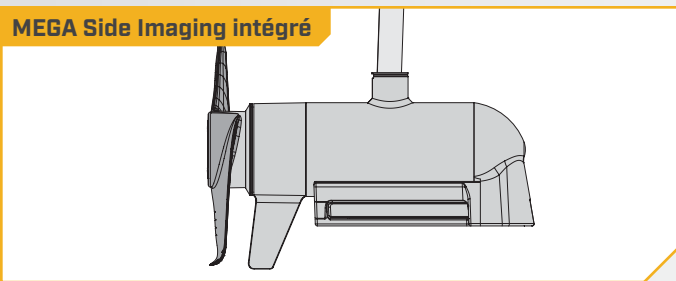
- a. Placez le moteur dans la position déployée.
- b. Le connecteur du MEGA Side Imaging intégré provenant de la tête de contrôle est un connecteur à 14 broches. Le MEGA Side Imaging intégré n'est installé que sur les moteurs installés comportant le système i-Pilot Link. Trouvez et identifiez la bonne connexion pour les câbles du MEGA Side Imaging intégré; elle se trouve à la base de la tête de contrôle.

**AVIS :** Le MEGA Side Imaging intégré n'est mis en paire avec l'i-Pilot Link que sur un moteur Ultrex ou Ulterra.



**AVIS :** Acheminement critique des câbles pour les moteurs 72 "et 60" avec i-Pilot Link et MEGA Imaging intégré. Les câbles accessoires doivent sortir du cordon enroulé en laissant au moins trois enroulements ouverts entre la sortie des câbles et la base du moteur; tel qu'assemblé par l'usine. En acheminant les câbles de toute autre manière, le moteur ne pourra pas être rangé correctement.

## MEGA Side Imaging intégré



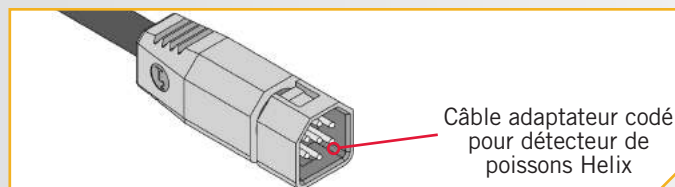
## APERÇU DES FONCTIONNALITÉS ET CONNEXION DES CÂBLES

2

- c. Lors de l'installation avec un Solix**, le câble de MEGA Side Imaging intégré peut être branché directement au détecteur de poissons Solix. Branchez le câble de MEGA Side Imaging intégré à la connexion correspondante du détecteur de poissons Solix.
- d. Lors de l'installation avec un Helix**, connectez d'abord le câble adaptateur puis branchez ce dernier au détecteur de poissons Helix. Le câble adaptateur aura une seule connexion correspondante à l'arrière du détecteur de poissons Helix. Branchez le câble adaptateur à la seule connexion spécialisée correspondante sur le détecteur de poissons Helix.

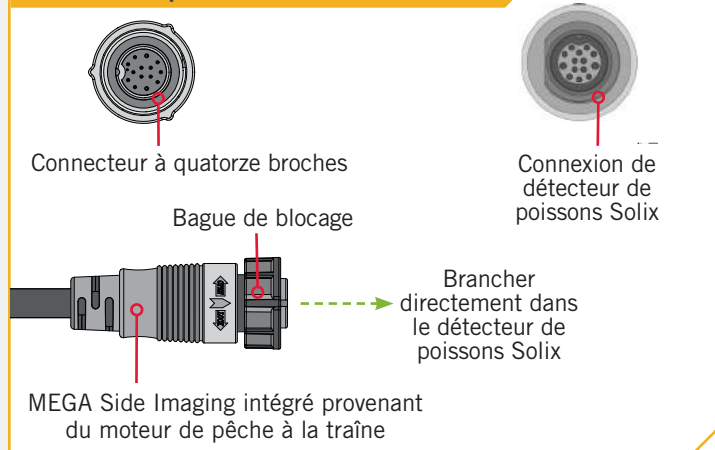
**AVIS :** vérifiez en ligne la compatibilité et les exigences de tout câble adaptateur, sur [minnkotamotors.com](http://minnkotamotors.com). On peut prolonger le câble du moteur de pêche à la traîne grâce à une rallonge de 10 pi (3 m), n° 720081-1 disponible sur [humminbird.com](http://humminbird.com).

**AVIS :** S'il faut acheminer des câbles, veuillez suivre les directives de la section Acheminement des câbles de connexion de ces instructions d'installation.

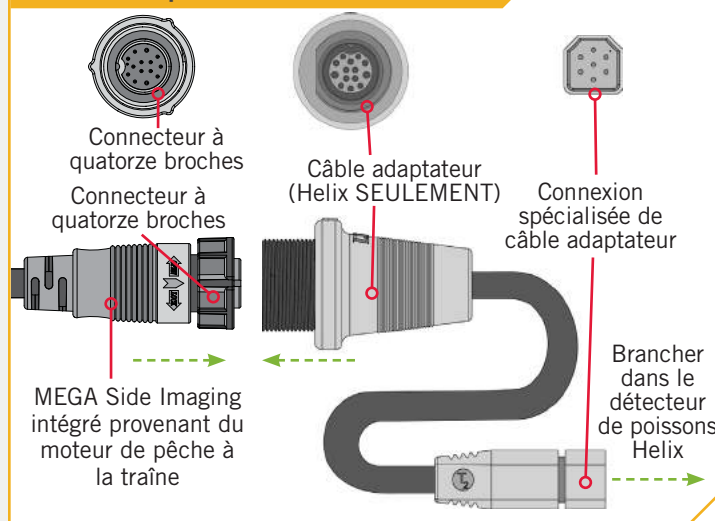


**AVIS :** Les connecteurs sont codés pour empêcher une installation en sens inverse.

### Détecteur de poissons Solix de Humminbird



### Détecteur de poissons Helix de Humminbird



**AVIS :** Le MKR-MI-1 (1852088) s'utilise sur les modèles Helix 8, 9, 10 et 12.

## MEGA Down Imaging intégré

La MEGA Down Imaging intégré offre près de trois fois la puissance du Side ImagingMD standard, et, pour la toute première fois, amène la détection de poisson dans la plage des mégahertz. Les gammes phares Minn Kota de moteurs de pêche à la traîne, notamment Ultrex, Ulterra, Terrova et Fortrex, comprennent maintenant le sonar MEGA Down Imaging intégré, l'imagerie la plus nette sur le marché, offert uniquement par Humminbird. Avec le sonar d'imagerie MEGA de Humminbird intégré directement dans le moteur de pêche à la traîne, vous profitez d'une vue parfaitement claire de ce qui se trouve directement sous le bateau, sans avoir à gérer tous les câbles associés aux transducteurs externes. Le transducteur MEGA DI intégré est uniquement disponible avec les nouveaux modèles, en tant qu'équipement installé en usine : on ne peut pas l'ajouter à un moteur de pêche à la traîne existant.

# APERÇU DES FONCTIONNALITÉS ET CONNEXION DES CÂBLES

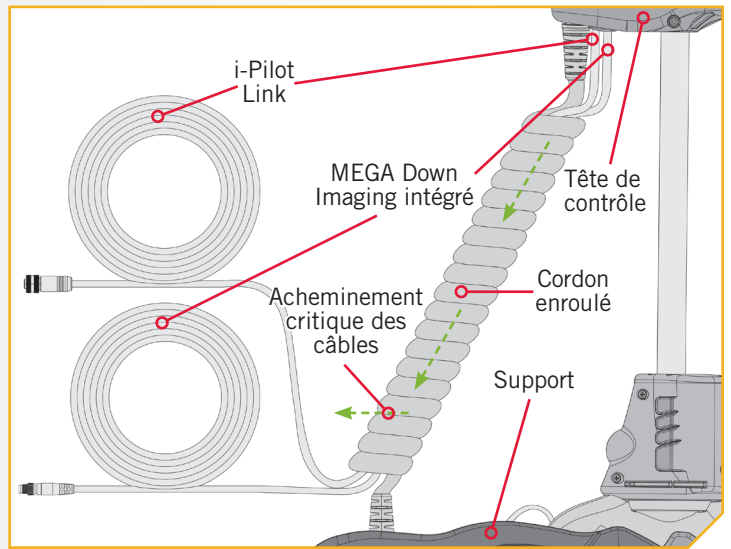
Le transducteur MEGA DI intégré assure le MEGA Down Imaging et le sonar numérique 2D CHIRP pour certains modèles Humminbird. Tous les moteurs de pêche à la traîne avec MEGA DI intégré sont livrés « prêts pour Solix ». Un accessoire de câble adaptateur (MKR-MI-1 1852088 ou MKR-MDI-2 1852086) est offert à la vente et permet la connexion de tout détecteur de poissons Helix de Humminbird compatible. Le MKR-MI-1 s'utilise sur les modèles Helix 8, 9, 10 et 12. Le MKR-MDI-2 s'utilise seulement sur les modèles Helix 7 de Humminbird. Consultez le tableau [Compatibilité de MEGA Down Imaging intégré](#) en ligne.

**AVIS :** Vous ne pouvez afficher le MEGA DI qu'avec un modèle de série MEGA DI ou MEGA SI HELIX G2N ou G3N et un adaptateur requis, ou tout modèle de série SOLIX. Le transducteur intégré ne peut pas assurer le MEGA Down Imaging pour les modèles Humminbird qui ne possèdent pas déjà la capacité. Si vous avez un G2/G2N ou un G3/G3N HELIX qui n'est pas un modèle MEGA SI ou MEGA DI, le transducteur vous offrira tout de même le sonar numérique 2D CHIRP. Les unités SOLIX G1, HELIX G2 et G2N doivent fonctionner sur la toute dernière mise à jour logicielle pour pouvoir afficher le sonar à partir des moteurs avec le MEGA Imaging intégré. Vous pouvez obtenir en ligne la toute dernière version du logiciel pour votre détecteur de poissons sur [humminbird.com](http://humminbird.com). Les modèles HELIX G1 et les autres marques de détecteurs de poissons ne prennent pas en charge le MEGA DI intégré.

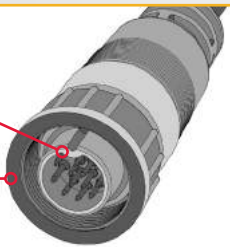
1

- Placez le moteur dans la position déployée.
- Le connecteur du MEGA Down Imaging intégré provenant de la tête de contrôle est un connecteur à 14 broches. On peut installer le MEGA Down Imaging intégré seul, ou avec un système i-Pilot ou i-Pilot Link. On ne l'installe jamais avec l'Universal Sonar. Trouvez et identifiez la bonne connexion pour les câbles du MEGA Down Imaging intégré, à la base de la tête de contrôle.

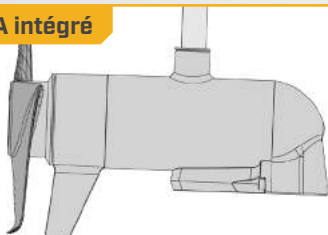
**AVIS :** Sur les moteurs Terrova, Ultrera et Ultrex, le MEGA Down Imaging intégré est toujours couplé avec i-Pilot ou i-Pilot Link sur les modèles actuels.



Connecteur à quatorze broches  
Câble MEGA Down Imaging intégré de la tête de contrôle



## Down Imaging MEGA intégré



**AVIS :** Acheminement critique des câbles pour les moteurs 72" et 60" avec i-Pilot Link et MEGA Imaging intégré. Les câbles accessoires doivent sortir du cordon enroulé en laissant au moins trois enroulements ouverts entre la sortie des câbles et la base du moteur; tel qu'assemblé par l'usine. En acheminant les câbles de toute autre manière, le moteur ne pourra pas être rangé correctement.

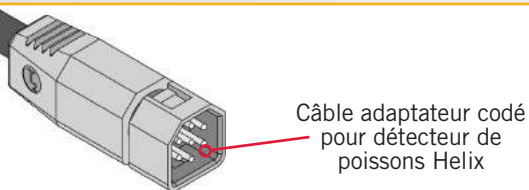
## APERÇU DES FONCTIONNALITÉS ET CONNEXION DES CÂBLES

2

- c. **Lors de l'installation avec un Solix**, le câble de MEGA Side Imaging intégré peut être branché directement au détecteur de poissons Solix. Branchez le câble de MEGA Side Imaging intégré à la connexion correspondante du détecteur de poissons Solix.
- d. **Lors de l'installation avec un Helix**, connectez d'abord le câble adaptateur puis branchez ce dernier au détecteur de poissons Helix. Le câble adaptateur aura une seule connexion correspondante à l'arrière du détecteur de poissons Helix. Branchez le câble adaptateur à la seule connexion spécialisée correspondante sur le détecteur de poissons Helix.

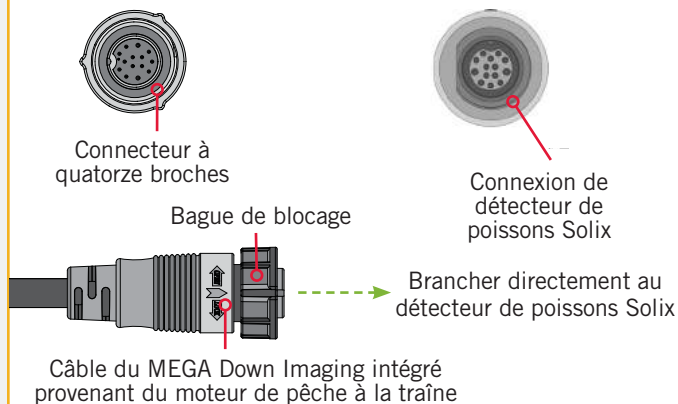
**AVIS :** vérifiez en ligne la compatibilité et les exigences de tout câble adaptateur, sur [minnkotamotors.com](http://minnkotamotors.com). On peut prolonger le câble du moteur de pêche à la traîne grâce à une rallonge de 10 pi (3 m), n° 720081-1 disponible sur [humminbird.com](http://humminbird.com).

**AVIS :** S'il faut acheminer des câbles, veuillez suivre les directives de la section Acheminement des câbles de connexion de ces instructions d'installation.

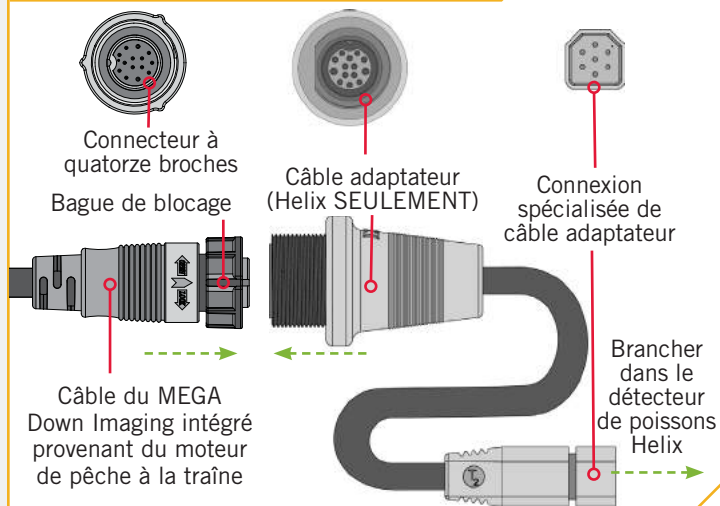


**AVIS :** Les connecteurs sont codés pour empêcher une installation en sens inverse.

### Détecteur de poissons Solix de Humminbird



### Détecteur de poissons Helix de Humminbird



**AVIS :** Le MKR-MI-1 s'utilise sur les modèles Helix 8, 9, 10 et 12. Le MKA-MDI-2 s'utilise seulement sur les modèles Helix 7 de Humminbird.

## › Universal Sonar

Un système de transducteur Universal Sonar peut être préinstallé sur votre moteur de pêche à la traîne. L'Universal Sonar est un transducteur sonar 2D, doté d'un capteur de température intégré dans le module inférieur du moteur de pêche à la traîne. Il se caractérise par une fréquence de fonctionnement de 83/200 kHz. La connexion de ce transducteur à un détecteur de poissons compatible vous offre une vue sonar 2D de ce qui se passe directement sous votre moteur de pêche à la traîne. La conception intégrée protège le transducteur des risques subaquatiques et empêche les torsions et les dommages aux câbles du transducteur.

## APERÇU DES FONCTIONNALITÉS ET CONNEXION DES CÂBLES

Tous les moteurs Universal Sonar sont équipés d'un fil de masse interne. Un mauvais raccordement risque de causer des interférences avec d'autres sonars et peut endommager votre moteur de pêche à la traîne, les composants électroniques ou les autres accessoires de votre bateau. Pour réduire les interférences causées par le moteur de pêche à la traîne, assurez-vous que le détecteur de poissons et le moteur de pêche à la traîne sont actionnés par des batteries indépendantes. Veuillez vous reporter aux sections sur l'Installation de la batterie et du câblage et Câblage du moteur dans ce manuel pour des directives sur le raccordement.

Les câbles de l'Universal Sonar sont blindés de sorte à réduire les interférences. Pour protéger ce blindage, il est recommandé de ne pas serrer fermement les câbles contre des coins vifs ni des objets durs. Si des attaches de câble sont utilisées, évitez de trop serrer. Tout surplus de câble devrait être enlacé en une boucle lâche d'au moins 4 po (10 cm) de diamètre. Dans certains cas, des bulles d'air peuvent adhérer à la surface du transducteur Universal Sonar et avoir une incidence sur le rendement. Si cela se produit, essayez simplement la surface du transducteur à l'aide de votre doigt.

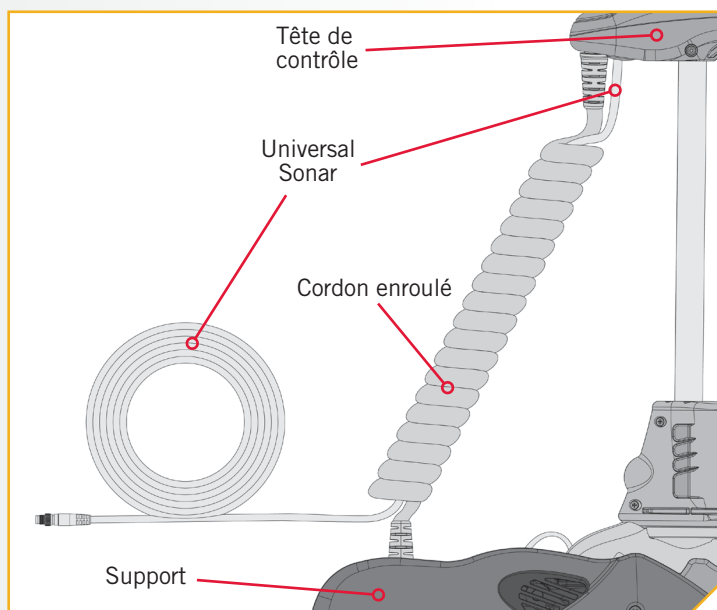
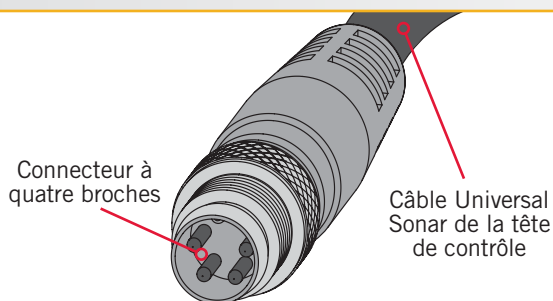
**AVIS :** Universal Sonar n'est pas adapté aux écrans à images qui nécessitent des fréquences plus élevées comme 455 kHz, 800 kHz ou 1,2 MHz (« Down Imaging » [Vue sous le bateau], « Side Imaging » [Vue de chaque côté du bateau], etc.). Les modules spécifiques au « Down Imaging » (DI) ne sont pas compatibles avec l'Universal Sonar. Voir le tableau des compatibilités sur le site [minnkotamotors.com](http://minnkotamotors.com) pour obtenir une liste des détecteurs de poissons compatibles.

Le connecteur de l'Universal Sonar sort du moteur de pêche à la traîne sous la tête de contrôle; il s'agit d'une fiche à 4 broches. Un câble adaptateur (vendu séparément) convertira la prise à 4 broches au connecteur de transducteur correct pour votre détecteur de poissons ; il est exigé pour toutes les installations. Pour obtenir une liste à jour des détecteurs de poissons compatibles, connaître le câble adaptateur approprié ou obtenir davantage de renseignements sur l'Universal Sonar, visitez l'adresse [minnkotamotors.com](http://minnkotamotors.com).

1

- Placez le moteur dans la position déployée.
- Localisez l'Universal Sonar à la base du montage, le cas échéant.
- Trouvez le connecteur à quatre broches de l'Universal Sonar à l'extrémité de la rallonge de l'Universal Sonar. Le connecteur est noir et est doté d'une bague de blocage fileté en acier inoxydable.

**AVIS :** votre détecteur de poissons doit être éteint jusqu'à ce que cette procédure soit terminée.



**AVIS :** si la longueur du câble n'est pas suffisante pour atteindre l'emplacement désiré du détecteur de poissons, une rallonge d'une longueur de 14,5 pi (4,3 m) est offerte (MKR-US2-11) (vendue séparément).



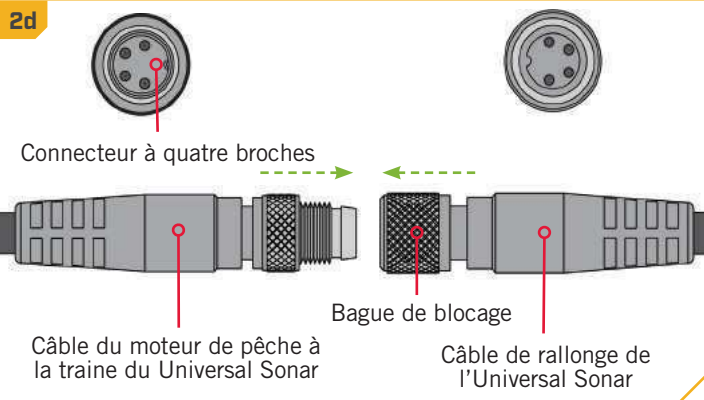
## APERÇU DES FONCTIONNALITÉS ET CONNEXION DES CÂBLES

2

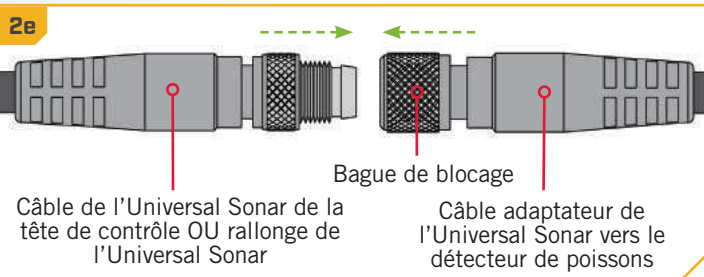
**AVIS :** le câble de l'Universal Sonar pourrait ne pas être assez long pour atteindre le détecteur de poissons. Si le câble est trop court pour atteindre l'emplacement désiré du détecteur de poissons, une rallonge d'une longueur de 14,5 pi (4,3 m) est en vente. Minn Kota recommande d'utiliser le MKR-US2-11.

- d. Au besoin, prenez la rallonge de l'Universal Sonar et branchez-la dans le câble de l'Universal Sonar sortant de la tête de contrôle. Pressez fermement les fiches ensemble et serrez la bague de blocage.
- e. Branchez le câble de l'Universal Sonar sortant de la tête de contrôle ou la rallonge de l'Universal Sonar (le cas échéant) au câble adaptateur de l'Universal Sonar approprié. Branchez le câble adaptateur dans votre détecteur de poissons. Consultez le manuel de votre détecteur de poissons pour obtenir les instructions d'installation complètes.

**AVIS :** s'il faut acheminer des câbles, veuillez suivre les directives de la section Acheminement des câbles de connexion de ces instructions d'installation.



**AVIS :** les connecteurs sont codés pour empêcher une installation en sens inverse.



### › i-Pilot Link

i-Pilot Link permet la communication entre votre moteur de pêche à la traîne Minn Kota et Humminbird, transformant la manière dont vous pêchez. I-Pilot Link met une vaste gamme de fonctions GPS à portée de main, notamment le contrôle de la vitesse, de la direction et du mode Spot-Lock ainsi que la possibilité d'enregistrer et de suivre à nouveau des chemins sur l'eau. Pour en savoir plus sur les capacités GPS offertes avec votre système de navigation i-Pilot Link, veuillez consulter le manuel du propriétaire en visitant l'adresse [minnkotamotors.com](http://minnkotamotors.com).

Le contrôleur et la télécommande i-Pilot Link constituent le système de navigation i-Pilot Link. La télécommande i-Pilot Link est également couplée au contrôleur en usine. Le contrôleur i-Pilot Link contient une boussole très sensible et assure la réception de tous les signaux des satellites GPS et de la télécommande i-Pilot Link. Le contrôleur i-Pilot Link se trouve dans la tête de contrôle du moteur de pêche à la traîne et est connecté à un détecteur de poissons grâce à un câble de connexion sortant de la tête de contrôle.

Le câble Ethernet pour le système i-Pilot Link possède un connecteur à 8 broches. Le système i-Pilot Link peut être connecté directement au Humminbird ou au commutateur Ethernet du Humminbird (facultatif). Si vous achetez le commutateur Ethernet, installez-le selon les instructions incluses dans le guide d'installation de l'Ethernet. Une rallonge Ethernet de 9 mètres (30') accompagne tout moteur équipé d'un i-Pilot Link. Elle pourra (ou non) s'avérer nécessaire pour chaque installation donnée. Pour acheter des commutateurs Ethernet, des câbles Ethernet et des rallonges, visitez le site [humminbird.com](http://humminbird.com) ou appelez le service à la clientèle de Humminbird, au 1-800-633-1468. Selon la forme du port Ethernet de votre détecteur de poissons Humminbird, un câble adaptateur Ethernet supplémentaire (**Câble adaptateur Ethernet AS EC QDE n° 720074-1 pour détecteurs de poissons Helix**) pourra s'avérer nécessaire à l'installation. Consultez le manuel d'exploitation de votre détecteur de poissons ou consultez le **tableau de compatibilité du i-Pilot Link** sur notre site Internet pour obtenir une liste de toutes les cartes SD et de tous les appareils Humminbird compatibles.

**AVIS :** le système i-Pilot Link n'a pas besoin d'une connexion externe câblée. Le système i-Pilot n'a pas besoin d'une connexion externe câblée.



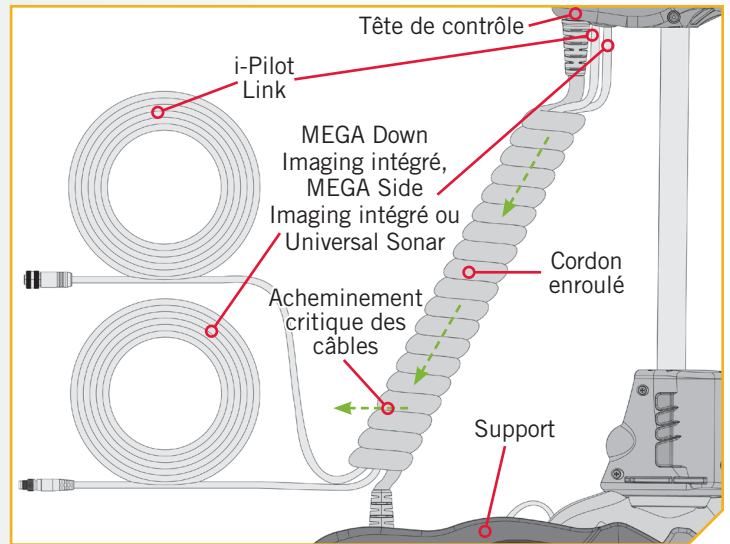
# APERÇU DES FONCTIONNALITÉS ET CONNEXION DES CÂBLES

1

- a. Placez le moteur dans la position déployée.
- b. Le connecteur de l'i-Pilot Link provenant de la tête de contrôle est un connecteur à 8 broches. Trouvez et identifiez la bonne connexion pour l'i-Pilot Link, à la base de la tête de contrôle.

**AVIS :** i-Pilot Link sera couplé avec le MEGA Down Imaging intégré, MEGA Side Imaging intégré ou l'Universal Sonar sur les moteurs Ultrex, Ulterra ou Terrova.

**AVIS :** couplé à un connecteur Universal Sonar à des fins d'illustration. Un connecteur MEGA Down Imaging intégré pourrait plutôt être en place.



**AVIS :** Acheminement critique des câbles pour les moteurs 72 "et 60" avec i-Pilot Link et MEGA Imaging intégré. Les câbles accessoires doivent sortir du cordon enroulé en laissant au moins trois enroulements ouverts entre la sortie des câbles et la base du moteur; tel qu'assemblé par l'usine. En acheminant les câbles de toute autre manière, le moteur ne pourra pas être rangé correctement.

2

## ARTICLE(S) REQUIS

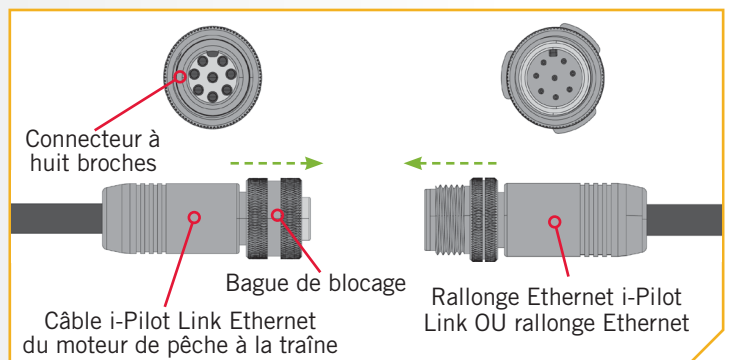


#16 x 1

- c. Au besoin, pour atteindre le détecteur de poissons installé, prenez le câble Ethernet i-Pilot Link (article n° 16) et connectez-le au câble i-Pilot Link sortant de la tête de contrôle.

**AVIS :** s'il faut acheminer des câbles, veuillez suivre les directives de la section Acheminement des câbles de connexion de ces instructions d'installation.

- d. Branchez le câble Ethernet i-Pilot Link directement dans le détecteur de poissons Humminbird ou consultez le manuel de votre détecteur de poissons pour obtenir les instructions d'installation complètes. Si un câble adaptateur est requis (câble adaptateur Ethernet AS EC QDE pour détecteurs de poissons Helix), branchez-le à l'extrémité du câble Ethernet i-Pilot Link et consultez le manuel de votre détecteur de poissons pour obtenir les instructions d'installation complètes.



**AVIS :** les connecteurs sont codés pour empêcher une installation en sens inverse.

## INSTALLATION DE L'HÉLICE

### 1

#### ARTICLE(S) REQUIS

 #21 x 1  #19 x 1  #20 x 1 | #18 x 1

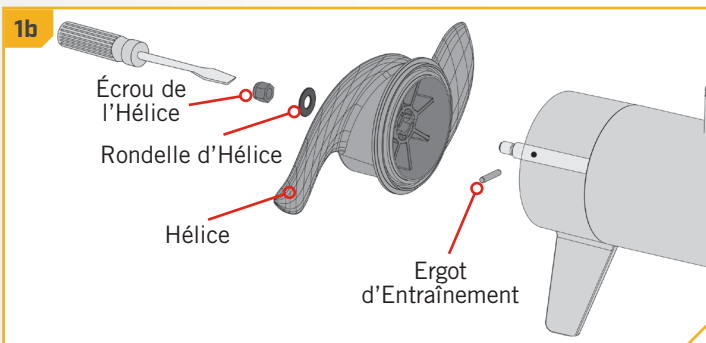
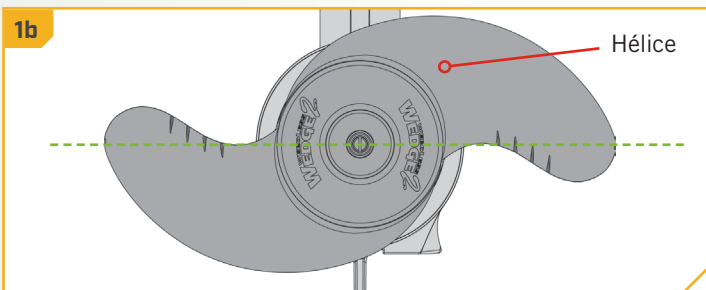
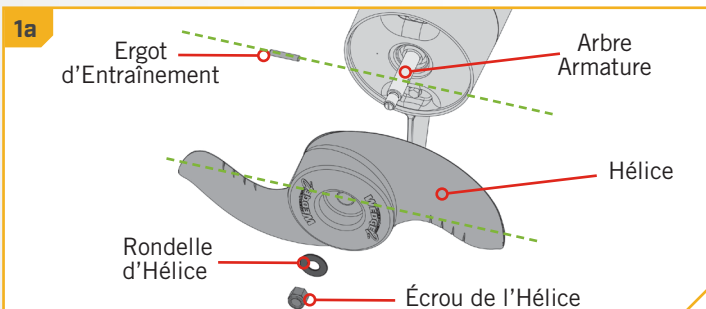
### ATTENTION

Débranchez le moteur de la batterie avant d'effectuer tout travail ou entretien sur l'hélice.

- Prenez l'ergot d'entraînement (Article n° 18) et glissez-le dans l'orifice de l'arbre d'armature. Placez l'ergot d'entraînement à l'horizontale en saisissant l'arbre d'armature et en le tournant avec l'ergot d'entraînement en place.
- Alignez l'hélice (Article n° 21) de manière à ce qu'elle soit à l'horizontale et parallèle à l'ergot d'entraînement. Glissez l'hélice sur l'arbre d'armature et l'ergot d'entraînement jusqu'à ce qu'elle repose contre l'appareil inférieur.
- Installez la rondelle de l'hélice (Article n° 19) et l'écrou de l'hélice (Article n° 20) sur l'extrémité de l'arbre d'armature.
- En tenant l'extrémité de l'arbre d'armature avec un tournevis à lame plate, serrez l'écrou de l'hélice avec une clé plate 9/16 po (14,29 cm).
- Serrez l'écrou d'hélice 1/4 de tour passé le serrage confortable à 25-35 po lb (2,8-4 Nm).

### ATTENTION

Ne pas trop serrer pour ne pas endommager l'hélice.



# ARRIMAGE ET DÉPLOIEMENT RAPIDES

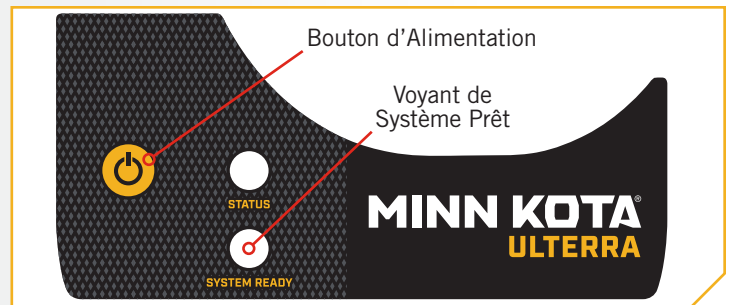
## ARRIMAGE ET DÉPLOIEMENT RAPIDES

### » Arrimage et Déploiement du Moteur avec la Pédale

Exécutez la procédure suivante lorsque vous désirez arrimer et déployer le moteur. N'oubliez pas que si votre moteur se bloque à 45 degrés lorsque vous tentez de l'arrimer, il est probable que les batteries soient trop faibles pour arrimer complètement le moteur. Dans un tel cas, réinitialisez l'alimentation, déployez le moteur, arrimez le moteur à son réglage le plus élevé et coupez l'alimentation jusqu'à ce que les batteries puissent être chargées à nouveau. Lorsque les batteries sont chargées, tentez à nouveau d'arrimer le moteur.



- 1 a. Repérez le panneau indicateur à la base du support.
- b. Assurez-vous que le moteur est sous tension en confirmant que la DEL verte à côté du voyant de système prêt est allumée.



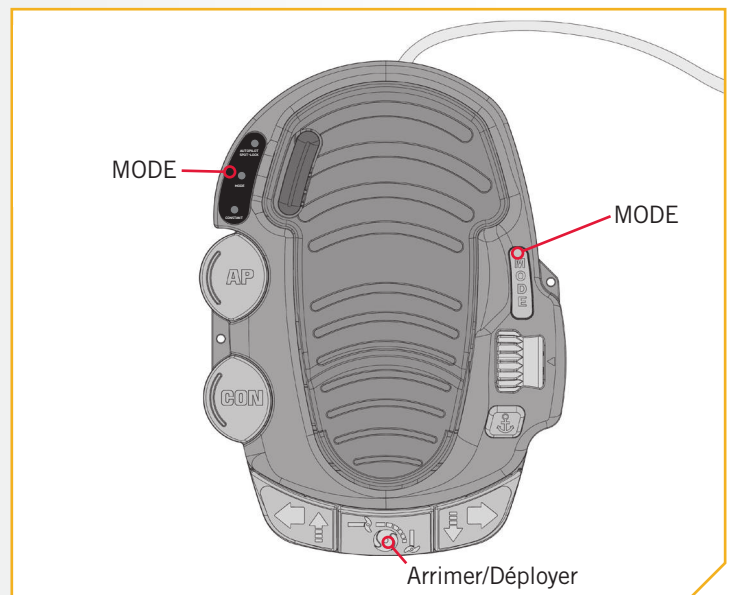
- 2 c. Appuyez sur le bouton Mode de la pédale jusqu'à ce que la DEL jaune ambre au centre du panneau indicateur de la pédale soit allumée. La pédale passe alors en mode Ulterra.

**AVIS :** Le mode Ulterra doit être activé pour pouvoir arrimer et déployer le moteur.

- d. Pour déployer le moteur lorsqu'il est arrimé, appuyez deux fois sur le bouton Arrimer/déployer. Pour arrimer le moteur lorsqu'il est déployé, appuyez une fois sur le bouton Arrimer/déployer.

### **AVERTISSEMENT**



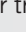
Faites attention de garder vos doigts loin des charnières, des points de pivot et des pièces mobiles lorsque vous arrimez et déployez le moteur. Lorsque vous arrimez et déployez le moteur, assurez-vous qu'il ne touche pas le bateau, la remorque ou toute autre obstruction.



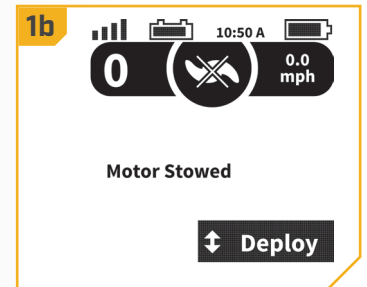
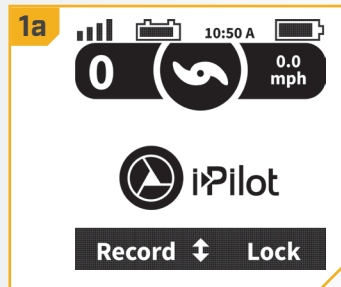
**AVIS :** La séquence de déploiement peut être interrompue en tout temps en appuyant sur le bouton Arrimer/déployer. La séquence d'arrimage peut être interrompue en tout temps en appuyant sur le bouton de compensation ou le bouton Arrimer/déployer.

## › Déploiement du Moteur avec i-Pilot


1

- Appuyez sur le bouton Accueil .
- Utilisez la flèche vers le haut  et la flèche vers le bas  pour trouver le menu Déployer (Deploy) au bas de l'écran.

**AVIS :** Le menu Déployer (Deploy) au bas de l'écran n'est disponible que lorsque le moteur est arrimé.





2

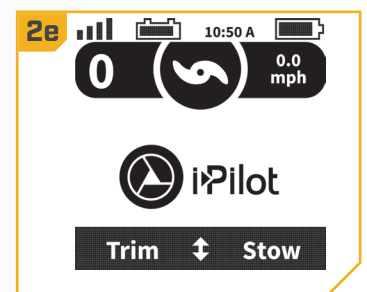
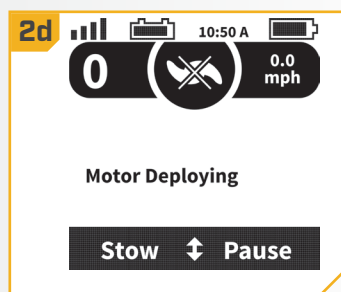
- Appuyez deux fois sur la touche de fonction droite  pour sélectionner le menu Déployer (Deploy). Après la sélection, le moteur se déploiera automatiquement.



### AVERTISSEMENT



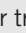
Dès que le menu Déployer (Deploy) est sélectionné, le moteur se déploiera automatiquement. Assurez-vous que le moteur peut se déplacer librement. L'hélice est désactivée lorsque le moteur est arrimé et pendant le déploiement, afin de prévenir un contact accidentel avec une hélice en mouvement.

- On peut arrêter le déploiement du moteur tandis qu'il est en cours. Utilisez soit la touche de fonction gauche  pour sélectionner le menu Arrimer (Stow), soit la touche de fonction droite  pour sélectionner le menu Pause.
- Si le moteur continue, il terminera le processus de déploiement et fonctionnera ensuite normalement.

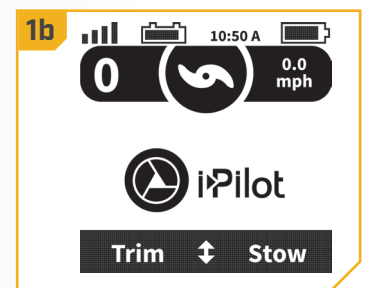
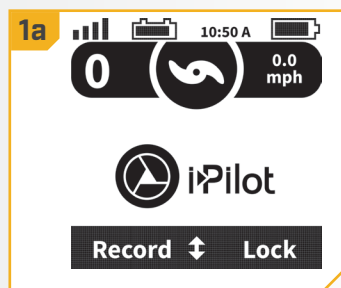


## › Arrimage du Moteur avec i-Pilot

1


- Appuyez sur le bouton Accueil .
- Utilisez la flèche vers le haut  et la flèche vers le bas  pour trouver le menu Arrimer (Stow) au bas de l'écran.

**AVIS :** Le menu Arrimer (Stow) au bas de l'écran n'est disponible que lorsque le moteur est déployé.



# ARRIMAGE ET DÉPLOIEMENT RAPIDES



2

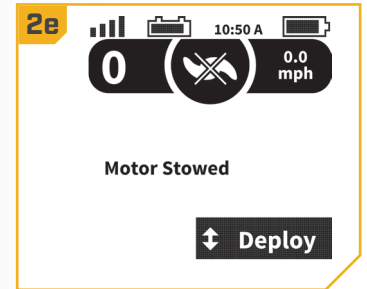
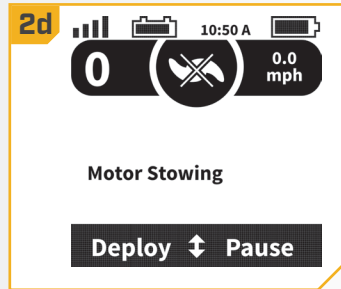
- c. Utilisez la touche de fonction droite  pour accéder au menu Arrimer (Stow). Après la sélection, le moteur s'arrimera automatiquement.



## AVERTISSEMENT


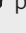



Dès que le menu Arrimer (Stow) est sélectionné, le moteur s'arrimera automatiquement. Assurez-vous que le moteur peut se déplacer librement. L'hélice est désactivée pendant l'arrimage, afin de prévenir un contact accidentel avec une hélice en mouvement.

- d. On peut arrêter l'arrimage du moteur tandis qu'il est en cours. Utilisez soit la touche de fonction gauche  pour sélectionner le menu Déployer (Deploy), soit la touche de fonction droite  pour sélectionner le menu Pause.
- e. Si le moteur continue, il terminera le processus d'arrimage, et l'hélice sera désactivée.



## › Déploiement du Moteur avec i-Pilot Link

1



- a. Appuyez sur le bouton Accueil .
- b. Faites défiler la zone de contenu avec le doigt ou le bouton de navigation de l'écran  pour trouver le bouton Ulterra .
- c. Sélectionnez le bouton Ulterra  avec le doigt ou en appuyant sur le bouton Ok  pour ouvrir le menu Ulterra.

**AVIS :** Le bouton Ulterra se trouve seulement dans la zone de contenu à l'aide des boutons Accueil et Contrôle sur les systèmes i-Pilot Link sur un moteur Ulterra. Certains boutons d'écran d'accueil peuvent être verrouillés lors de l'arrimage du bateau, parce que ces fonctions nécessitent que le moteur soit déployé pour fonctionner.







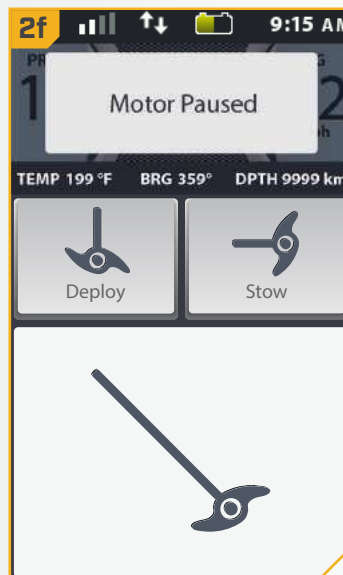
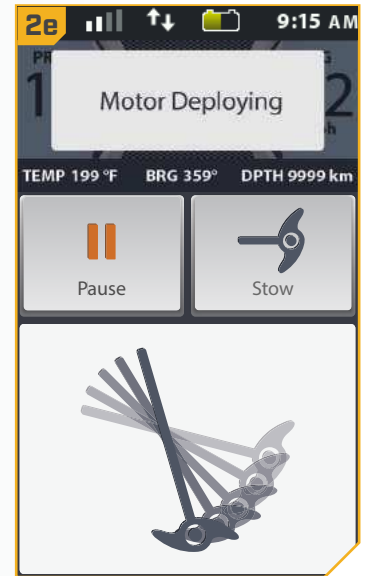
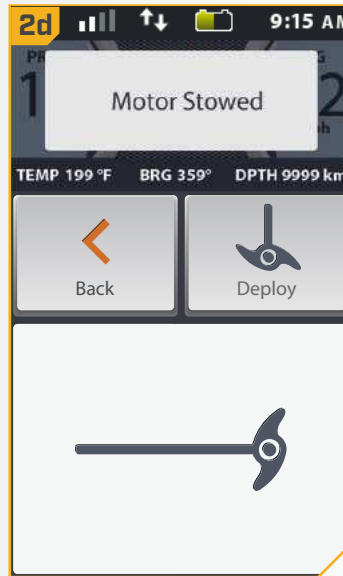
2

- d. Dans le menu Ulterra, trouvez le bouton Déployer  et sélectionnez-le. Le bouton Déployer  doit être poussé deux fois pour activer.

## AVERTISSEMENT

Dès que le bouton Déployer est sélectionné, le moteur se déploiera automatiquement. Assurez-vous que le moteur peut se déplacer librement. L'hélice est désactivée lorsque le moteur est arrimé et pendant le déploiement, afin de prévenir un contact accidentel avec une hélice en mouvement.


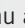
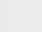


- e. Le moteur Ulterra déploiera. On peut arrêter le déploiement du moteur tandis qu'il est en cours. Pour arrêter l'action, trouvez le bouton Pause  et sélectionnez-le.
- f. Pour relancer l'action de déploiement, sélectionnez le bouton Déployer .
- g. Si le moteur continue, il terminera le processus de déploiement et fonctionnera ensuite normalement.




# ARRIMAGE ET DÉPLOIEMENT RAPIDES

## Arrimage du Moteur avec i-Pilot Link


1


- Appuyez sur le bouton Accueil .
- Faites défiler la zone de contenu avec le doigt ou le bouton de navigation de l'écran  pour trouver le bouton Ulterra .
- Sélectionnez le bouton Ulterra  avec le doigt ou en appuyant sur le bouton Ok  pour ouvrir le menu Ulterra.

**AVIS :** Le bouton Ulterra  se trouve seulement dans la zone de contenu à l'aide des boutons Accueil et Contrôle sur les systèmes i-Pilot Link sur un moteur Ulterra. Le moteur peut seulement être arrimé lorsqu'il est déployé.





2

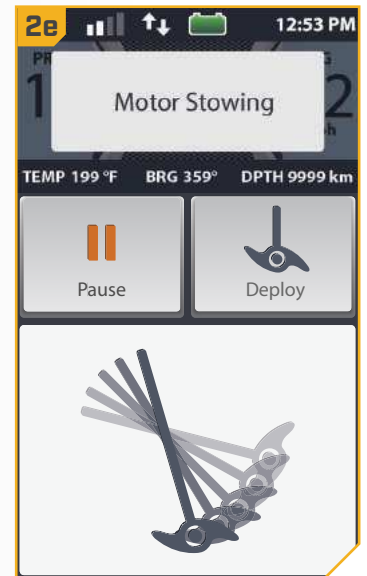
- Dans le menu Ulterra, trouvez le bouton Arrimer  et sélectionnez-le.

**AVIS :** Le bouton Arrimer  se trouve seulement lorsque le moteur est déployé.

### AVERTISSEMENT


Dès que le bouton Arrimer  est sélectionné, le moteur s'arrimera automatiquement. Assurez-vous que le moteur peut se déplacer librement. L'hélice est désactivée pendant l'arrimage, afin de prévenir un contact accidentel avec une hélice en mouvement.

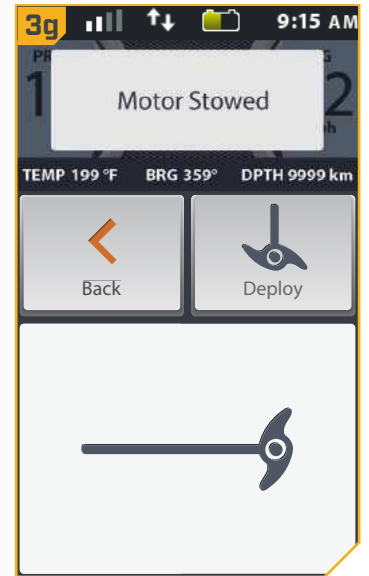
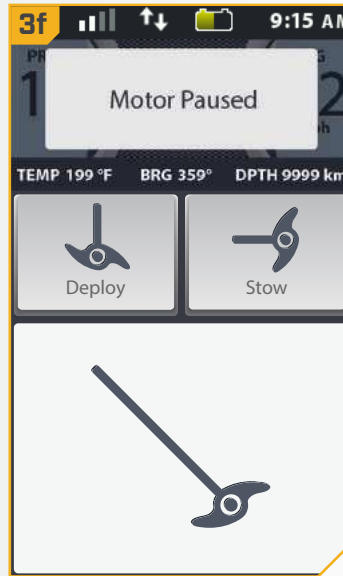
- Le moteur Ulterra s'arrimera. On peut arrêter l'arrimage du moteur tandis qu'il est en cours. Pour arrêter l'action, trouvez le bouton Pause  et sélectionnez-le.



## ARRIMAGE ET DÉPLOIEMENT RAPIDES

3

- f. Pour relancer l'action d'arrimage, sélectionnez le bouton Déployer .
- g. Si le moteur continue, il terminera le processus d'arrimage et fonctionnera ensuite normalement.



# INSTALLATION DES BATTERIES ET DU CÂBLAGE

## GRÉEMENT DE L'EMBARCATION ET INSTALLATION DU PRODUIT

Pour des raisons de sécurité et de conformité, nous vous recommandons de suivre les normes du conseil américain sur les embarcations et les yachts (ABYC) pour le gréement de l'embarcation. Les altérations dans le câblage de l'embarcation devraient être complétées par un technicien de marine qualifié. Les spécifications suivantes sont seulement des lignes directrices générales:

### ⚠ ATTENTION

Ces lignes directrices s'appliquent au gréement général pour soutenir le moteur de Minn Kota. L'alimentation de multiples moteurs ou d'autres appareils électriques, à partir du même circuit d'alimentation, peut influencer sur le gabarit de conducteurs et le dimensionnement des disjoncteurs recommandé. Pour un fil plus long que celui fourni avec l'appareil, suivre le tableau de dimensionnement de gabarit des conducteurs et des disjoncteurs du tableau ci-dessous. Si la longueur totale de la rallonge est de plus de 25 pi (7,60 m), nous vous recommandons de communiquer avec un technicien maritime qualifié.

### ⚠ ATTENTION

**Un dispositif de protection contre la surintensité (disjoncteur ou fusible) doit être utilisé.** Les préalables de la garde côtière exigent que chaque conducteur de courant, qui n'est pas fixé, soit protégé par un fusible ou un disjoncteur qui se réinitialise manuellement et qui ne peut se déclencher automatiquement. Le dimensionnement du type (courant et tension de puissance nominale) de fusible ou de disjoncteur doit être choisi en fonction du propulseur électrique utilisé. Le tableau ci-dessous donne les lignes directrices recommandées pour ce qui est du dimensionnement des disjoncteurs.

## TABLEAU DES DIMENSIONS DE GABARIT DES CONDUCTEURS ET DISJONCTEURS

Le présent tableau des dimensions de gabarit des conducteurs et disjoncteurs est uniquement valable pour les hypothèses suivantes:

1. Il n'y a pas plus de 2 conducteurs qui sont regroupés à l'intérieur d'une gaine ou d'un conduit à l'extérieur de l'espace moteur.
2. Chaque conducteur est muni d'un isolant d'une température nominale de 105 °C.
3. Aucune chute de tension de plus de 5 % n'est autorisée lorsque le moteur est à plein régime, en fonction des exigences en matière d'alimentation du produit qui ont été publiées.

Modèle/ Poussée du Moteur	Courant Tiré Max	Disjoncteur	Longueur de la Rallonge				
			1.5 mètres	3 mètres	4.5 mètres	6 mètres	7.5 mètres
30 lb.	30	50 Amp @ 12 VDC	6 mm <sup>2</sup>	6 mm <sup>2</sup>	10 mm <sup>2</sup>	16 mm <sup>2</sup>	25 mm <sup>2</sup>
40 lb., 45 lb.	42		6 mm <sup>2</sup>	10 mm <sup>2</sup>	16 mm <sup>2</sup>	25 mm <sup>2</sup>	25 mm <sup>2</sup>
50 lb., 55 lb.	50	60 Amp @ 12 VDC	10 mm <sup>2</sup>	16 mm <sup>2</sup>	25 mm <sup>2</sup>	25 mm <sup>2</sup>	35 mm <sup>2</sup>
70 lb.	42	50 Amp @ 24 VDC	6 mm <sup>2</sup>	6 mm <sup>2</sup>	10 mm <sup>2</sup>	10 mm <sup>2</sup>	16 mm <sup>2</sup>
80 lb.	56	60 Amp @ 24 VDC	10 mm <sup>2</sup>	10 mm <sup>2</sup>	10 mm <sup>2</sup>	16 mm <sup>2</sup>	16 mm <sup>2</sup>
101 lb.	46	50 Amp @ 36 VDC	10 mm <sup>2</sup>	10 mm <sup>2</sup>	10 mm <sup>2</sup>	10 mm <sup>2</sup>	10 mm <sup>2</sup>
Engine Mount 101	50	60 Amp @ 36 VDC	10 mm <sup>2</sup>	10 mm <sup>2</sup>	10 mm <sup>2</sup>	10 mm <sup>2</sup>	10 mm <sup>2</sup>
112 lb.	52	60 Amp @ 36 VDC	10 mm <sup>2</sup>	10 mm <sup>2</sup>	10 mm <sup>2</sup>	10 mm <sup>2</sup>	10 mm <sup>2</sup>
Engine Mount 160	116	(2) x 60 Amp @ 24 VDC	16 mm <sup>2</sup>	16 mm <sup>2</sup>	25 mm <sup>2</sup>	35 mm <sup>2</sup>	35 mm <sup>2</sup>
E-Drive	40	50 Amp @ 48 VDC	6 mm <sup>2</sup>	6 mm <sup>2</sup>	6 mm <sup>2</sup>	6 mm <sup>2</sup>	6 mm <sup>2</sup>

**AVIS :** La longueur de la rallonge fait référence à la distance séparant les batteries des fils du propulseur électrique. Consultez le site Web pour connaître les options d'impulsion. Les valeurs d'intensité maximales ont lieu de manière intermittente durant certaines conditions et ne doivent pas être utilisées comme valeur nominale continue.

Référence  
Le code des règlements fédéraux des États-Unis : article 183 du titre 33 du CFR - Embarcations et équipements associés ABYC E-11 : systèmes électriques CA et CC sur les embarcations.

# COMMENT SÉLECTIONNER LES BATTERIES ADÉQUATES

## COMMENT SÉLECTIONNER LES BATTERIES ADÉQUATES

Le moteur fonctionnera avec toute batterie-marine plomb à décharge poussée de 12 volts. Pour un meilleur résultat, utilisez une batterie-marine à décharge poussée avec ampérage nominal d'au moins 105 ampères/heure. Maintenez la batterie complètement chargée. Un entretien adéquat assurera que le courant sera disponible au moment du besoin et améliorera considérablement la durée de vie de la batterie. Le fait de ne pas recharger les batteries au plomb (dans les 12 à 24 heures) est la principale cause de défaillance prématurée de celles-ci. Utilisez un chargeur multiphase pour éviter une surcharge. Nous offrons une vaste sélection de chargeurs en fonction de vos besoins. Si vous utilisez une batterie à manivelle pour démarrer un moteur hors-bord à essence, nous vous recommandons d'utiliser des batteries marines à décharge poussée séparées pour votre moteur de pêche à la traîne Minn Kota. Pour de plus amples informations sur la sélection et le gréement de batteries, veuillez visiter [minnkotamotors.com](http://minnkotamotors.com). Les moteurs de pêche à la traîne Minn Kota peuvent fonctionner avec des batteries au Lithium Ion. Cependant, ils sont spécifiquement conçus pour fonctionner avec des batteries plomb/acide traditionnelles (AMG ou GEL). Les batteries au lithium Ion restent à des tensions supérieures pendant plus longtemps que les batteries plomb/acide. Par conséquent, lancer un moteur de pêche à la traîne Minn Kota à des vitesses supérieures à 85 % pendant une période prolongée risque d'endommager le moteur de façon permanente.



### AVERTISSEMENT

Ne jamais brancher les bornes (+) et (-) de la batterie ensemble. S'assurer qu'aucun objet métallique ne puisse tomber sur la batterie et provoquer un court-circuit aux bornes. Cela provoquerait immédiatement un court-circuit et un risque extrême d'incendie.



### ATTENTION

Consultez le "Tableau des dimensions de gabarit des conducteurs et disjoncteurs" dans la section précédente pour trouver le disjoncteur ou fusible approprié convenant à votre moteur. Pour les moteurs nécessitant un disjoncteur de 60 A, le disjoncteur Minn Kota MKR-19 60 A est recommandé.



### ATTENTION

Veuillez lire les renseignements suivants avant de connecter votre moteur à vos batteries afin d'éviter d'endommager votre moteur ou d'annuler votre garantie.

## AUTRES POINTS À CONSIDÉRER

### › Utilisation de chargeurs-onduleurs

Votre moteur de pêche à la traîne Minn Kota peut être conçu avec un fil de masse interne pour réduire les interférences avec d'autres sonars. La plupart des systèmes de charge alternateurs ne tiennent pas compte de ce fil de masse et connectent les bornes négatives des batteries du moteur de pêche à la traîne aux bornes négatives de la batterie à manivelle/de démarrage. Ces connexions externes peuvent endommager les composants électroniques connectés ou le système électrique de votre moteur de pêche à la traîne et ainsi annuler votre garantie. Passez attentivement en revue le manuel de votre chargeur ou consultez son fabricant afin de vous assurer que votre chargeur est compatible avant de l'utiliser.

Minn Kota recommande l'utilisation de chargeurs de marque Minn Kota pour recharger les batteries connectées à votre propulseur électrique Minn Kota, étant donné qu'ils ont été conçus de sorte à fonctionner avec les moteurs dotés d'un fil de masse.

### › Accessoires Supplémentaires Connectés aux Batteries du Propulseur électrique

Votre moteur Minn Kota, les composants électroniques de votre bateau ou votre bateau peuvent subir des dommages importants si de mauvaises connexions ont été effectuées entre les batteries de votre propulseur électrique et un autre système de batterie. Minn Kota recommande d'utiliser un système de batterie exclusif pour votre propulseur électrique. Lorsque possible, les accessoires doivent être branchés sur un système de batterie séparé. Les radios et les sonars ne doivent être connectés à aucune batterie du propulseur



## BRANCHER LES BATTERIES EN SERIE

électrique étant donné que les interférences provenant du propulseur électrique sont inévitables. Lorsque vous connectez un accessoire supplémentaire à l'une des batteries du propulseur électrique, ou lorsque vous effectuez des connexions entre les batteries du propulseur électrique et d'autres systèmes de batterie sur le bateau, assurez-vous de respecter attentivement les indications ci-dessous. La connexion négative (-) doit être connectée à la borne négative de la même batterie à laquelle la borne négative du propulseur électrique est connectée. Sur le tableau, cette batterie est appelée batterie « côté inférieur ». La connexion à une autre batterie du propulseur électrique fera entrer une tension positive dans la « mise à la terre » de cet accessoire, pouvant causer une corrosion excessive. Tout dommage causé par de mauvaises connexions entre les systèmes de batterie ne sera pas couvert par la garantie.

### › Systèmes de démarrage d'Appoint et Commutateurs

Les systèmes de démarrage d'appoint et les commutateurs relient les bornes négatives des batteries connectées entre elles. La connexion de ces systèmes à la batterie "Côté Supérieur" ou à la batterie "Milieu" risque de causer d'importants dommages à votre propulseur électrique ou aux composants électroniques. La seule batterie du propulseur électrique qui peut être connectée de façon sécuritaire à un de ces systèmes est la batterie "Côté inférieur".

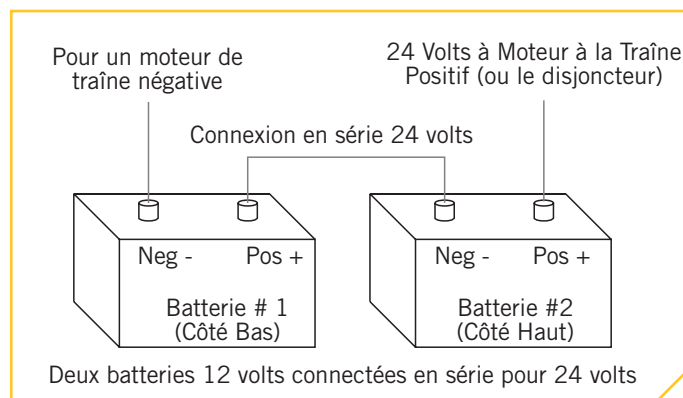
**AVIS :** Le fil de masse interne est doté d'un fusible de 3 A. Les mauvaises connexions décrites ci-dessus avec une intensité supérieure à 3 A feront sauter ce fusible et aucun autre dommage ne sera exposé. Si cela se produit, les interférences RF du propulseur électrique affectant les sonars et les autres composants électroniques seront plus significatives. Si le fusible saute, il faut trouver le mauvais raccordement et le résoudre avant de remplacer le fusible. Le fusible de rechange devrait être d'un courant de 3 A ou moins. Un fusible intact ne signifie pas un raccordement adéquat; d'importants dommages peuvent être causés par un câblage incorrect sans pour autant que le courant n'approche 3 A.

## BRANCHER LES BATTERIES EN SERIE (SI REUIS POUR VOTRE MOTEUR)

### › Systèmes de 24 Volts

Deux batteries de 12 volts sont nécessaires. Les batteries doivent être branchées en série, uniquement tel qu'illustré dans le schéma de câblage, afin de fournir 24 volts.

1. Assurez-vous que le moteur est éteint (sélecteur de vitesse sur "0").
2. Branchez un câble de raccordement à la borne positive (+) de la batterie 1 et à la borne négative (-) de la batterie 2.
3. Branchez le fil rouge positif (+) à la borne positive (+) sur la batterie 2.
4. Branchez le fil noir négatif (-) à la borne négative (-) de la batterie 1.



## AVERTISSEMENT

Pour des raisons de sécurité, ne pas allumer le moteur jusqu'à ce que l'hélice soit dans l'eau. Si vous installez un raccordement en fil de plomb, respectez les polarités appropriées et suivez les instructions qui se trouvent dans votre manuel du propriétaire du bateau.

## BRANCHER LES BATTERIES EN SERIE

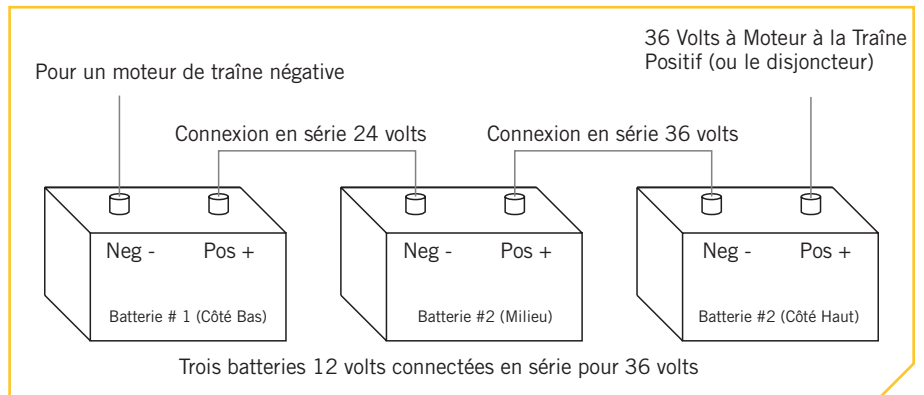
### **AVERTISSEMENT**

- Pour des raisons de sécurité, débranchez le moteur des batteries lorsque le moteur n'est pas utilisé ou pendant la charge.
- Une mauvaise installation du câblage des systèmes de 24/36 volts pourrait provoquer une explosion des batteries.
- Gardez le serrage des écrous de papillon de raccordement solide et bien serré autour des bornes de la batterie.
- Installez la batterie dans un compartiment ventilé.

### › **Systemes de 36 Volts**

Trois batteries de 12 volts sont nécessaires. Les batteries doivent être branchées en série, uniquement tel qu'illustré dans le schéma de câblage, afin de fournir 36 volts.

1. Assurez-vous que le moteur est éteint (sélecteur de vitesse sur "0").
2. Branchez un câble de raccordement à la borne positive (+) de la batterie 1 et à la borne négative (-) de la batterie 2. Branchez autre câble de raccordement à la borne positive (+) de la batterie 2 et à la borne négative (-) de la batterie 3.
3. Branchez le fil rouge positif (+) à la borne positive (+) sur la batterie 3.
4. Branchez le fil noir négatif (-) à la borne négative (-) de la batterie 1.



### **AVERTISSEMENT**

Pour des raisons de sécurité, ne pas allumer le moteur jusqu'à ce que l'hélice soit dans l'eau. Si vous installez un raccordement en fil de plomb, respectez les polarités appropriées et suivez les instructions qui se trouvent dans votre manuel du propriétaire du bateau.

### **AVERTISSEMENT**

- Pour des raisons de sécurité, débranchez le moteur des batteries lorsque le moteur n'est pas utilisé ou pendant la charge.
- Une mauvaise installation du câblage des systèmes de 24/36 volts pourrait provoquer une explosion des batteries.
- Gardez le serrage des écrous de papillon de raccordement solide et bien serré autour des bornes de la batterie.
- Installez la batterie dans un compartiment ventilé.

L'installation de votre Ulterra est terminée. Un manuel complet du propriétaire peut être téléchargé à [minnkotamotors.com](http://minnkotamotors.com).

# ACCESSOIRES RECOMMANDÉS

## CHARGEURS DE BATTERIE EMBARQUÉS ET PORTATIFS

Ne plus acheter de nouvelles batteries et commencer à prendre soin de celles déjà en votre possession. Plusieurs chargeurs peuvent en fait endommager les batteries à la longue, pouvant entraîner une autonomie réduite et une durée de vie plus courte. Les chargeurs Minn Kota à commande numérique assurent une charge rapide pour une protection et une durée de vie prolongée.



MK212PC



MK210D



MK110PD

## ANCRE POUR EAUX PEU PROFONDES TALON

Voici le tout nouveau Talon à nouvelle conception profilée. Talon est la seule ancre pour eaux peu profondes avec jusqu'à 15 pi (4,6 m) de profondeur d'ancrage, plusieurs modes d'ancrage et le contrôle à partir de la proue, du tableau arrière, de la console, de la télécommande ou d'un appareil mobile.



### ÉCLAIRAGE DE TRAVAIL INTÉGRÉ

Vous permet de fixer les lignes et de travailler à partir du tableau arrière à tout moment de la journée, ou de la nuit. Comprend des lumières DEL blanches et bleues avec trois intensités.



### JUSQU'À UNE PROFONDEUR DE 15 PI (4,6 M)

Contrôlez plus d'eau et attrapez plus de poissons avec la première ancre de 15 pi (4,6 m) pour eau peu profonde.



### CONNECTIVITÉ BLUETOOTH®

Vous permet de contrôler votre Talon à partir de votre appareil mobile, ainsi que le mettre à jour facilement. Elle ouvre aussi la communication à d'autres options de contrôle.



### D'AUTRES OPTIONS DE COMMANDE

- Panneau de commande
- Télécommande sans fil
- Application mobile
- Pédale sans fil
- Connectivité Humminbird<sup>MD</sup>
- Télécommande i-Pilot<sup>®</sup> et i-Pilot Link



## ACCESSOIRES MINN KOTA

Nous offrons un large éventail d'accessoires pour les propulseurs électriques, y compris:

- Un Disjoncteur de 60 A
- Des Supports de Montage
- Des Ensembles Stabilisateur
- Des Rallonges de Poignée
- Des connecteurs de batterie
- Bacs à Batterie
- Des fiches de connexion rapide



minnkotamotors.com



Part #2207113

Minn Kota Consumer & Technical Service  
Johnson Outdoors Marine Electronics, Inc.  
PO Box 8129  
Mankato, MN 56001

121 Power Drive  
Mankato, MN 56001  
Phone (800) 227-6433  
Fax (800) 527-4464



©2019 Johnson Outdoors Marine Electronics, Inc.  
All rights reserved.

ECN 40130

Rev K

12/19